

Stainless Steel Sight Glasses

AISI 316L, Metal-Fused

SPECIFICATION

Type

- Type **A**: with reflector grooves

Identification no.

- No. **2**: Seal FPM (Viton®)
- No. **3**: Seal copper

Body
Stainless steel AISI 316L

Contrast screen
Grooves melted into sight glass

Sight glass float-glass

- Metal-fused
- Shrink-fit

Seals

- Rubber FPM (Viton®) (identification no. 2)
Temperature resistant up to **180 °C**
(without pressure load)
- Copper (identification no. 3)
Temperature resistant up to **300 °C**
(without pressure load)



INFORMATION

Stainless steel sight glasses GN 7440 are equipped with a sight glass that is metal-fused to the body by a thermal process. As a result the liquid glass adapts precisely to the contour of the body. During cooling, the different coefficients of linear expansion of the two joining partners generate strong mechanical initial stress between the glass and metal.

This initial stress makes the sight glasses 100% leakproof and particularly resistant to dynamic pressures and high temperatures when used with liquid and gaseous media. Moreover, the sight glass offers a high level of safety, as potential damage is indicated in advance by small cracks without breakage of the glass. The seal is embedded in a radial recess, and thus cannot be lost or squeezed out during tightening.

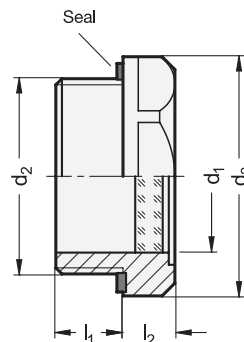
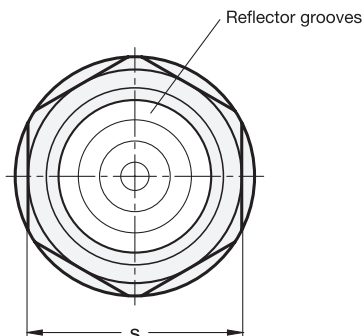
The recommended operating pressures are non-binding values and rule out any liability. The user must determine from case to case whether a product is suitable for the intended use. Environmental factors can influence the specified values.

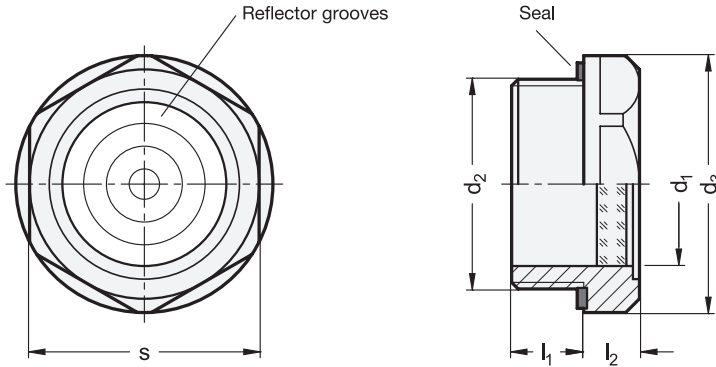
ON REQUEST

- Seals of NBR or EPDM

TECHNICAL INFORMATION

- Elastomer characteristics (see page A32)
- Stainless Steel characteristics (see page A26)





GN 7440-Seal FPM

STAINLESS STEEL

Description	d1	d2	d3	l1	l2	s	max. operating pressure (safety factor 5) at -20 °C to 120 °C in bar	⚖
GN 7440-11-G3/8-A-2	11	G 3/8	22	8	7.5	20	80	22
GN 7440-11-M16X1.5-A-2	11	M 16 x 1.5	22	8	7.5	20	80	22
GN 7440-14-G1/2-A-2	14	G 1/2	26	8.5	7.5	23	80	30
GN 7440-14-M20X1.5-A-2	14	M 20 x 1.5	26	8.5	7.5	23	80	30
GN 7440-18-G3/4-A-2	18	G 3/4	32	9	8	30	80	52
GN 7440-18-M26X1.5-A-2	18	M 26 x 1.5	32	9	8	30	80	51
GN 7440-24-G1-A-2	24	G 1	40	11	8.5	36	80	82
GN 7440-24-M33X1.5-A-2	24	M 33 x 1.5	40	11	8.5	36	80	82
GN 7440-32-G1 1/4-A-2	32	G 1 1/4	50	12	9	46	40	130
GN 7440-32-M42X1.5-A-2	32	M 42 x 1.5	50	12	9	46	40	130

GN 7440-Seal copper

STAINLESS STEEL

Description	d1	d2	d3	l1	l2	s	max. operating pressure (safety factor 5) at -20 °C to 120 °C in bar	⚖
GN 7440-11-G3/8-A-3	11	G 3/8	22	8	7.5	20	80	22
GN 7440-11-M16X1.5-A-3	11	M 16 x 1.5	22	8	7.5	20	80	22
GN 7440-14-G1/2-A-3	14	G 1/2	26	8.5	7.5	23	80	30
GN 7440-14-M20X1.5-A-3	14	M 20 x 1.5	26	8.5	7.5	23	80	30
GN 7440-18-G3/4-A-3	18	G 3/4	32	9	8	30	80	52
GN 7440-18-M26X1.5-A-3	18	M 26 x 1.5	32	9	8	30	80	51
GN 7440-24-G1-A-3	24	G 1	40	11	8.5	36	80	84
GN 7440-24-M33X1.5-A-3	24	M 33 x 1.5	40	11	8.5	36	80	84
GN 7440-32-G1 1/4-A-3	32	G 1 1/4	50	12	9	46	40	135
GN 7440-32-M42X1.5-A-3	32	M 42 x 1.5	50	12	9	46	40	135

