

Hinges for mounting on glass or panels

SUPER-Technopolymer

MATERIAL

Glass-fibre reinforced polyamide based (PA) SUPER-technopolymer, black colour, matte finish.

FLAT WASHER

A4 UNI 6593-MT stainless steel.

STEP WASHER

NBR rubber, hardness 70 Shore A.
Produced from FDA compliant raw material (FDA CFR.21 and EU 10/2011).

ROTATING PIN

AISI 303 stainless steel.

STANDARD EXECUTION

Frame side: pass-through holes for countersunk head screws.
Panel side: pass-through hole for round head square neck bolts according to UNI 5732 (choose the correct screw length depending on the thickness of the glass or of the panel).

ROTATION ANGLE (APPROXIMATE VALUE)

Max 270° (-90° and +180° being 0° the condition where the two interconnected surfaces are on the same plane).

Do not exceed the rotation angle limit so as not to prejudice the hinge mechanical performance.

To choose the convenient type and the right number of hinges for your application, see the Guidelines (see page 952).

ASSEMBLY INSTRUCTIONS ON GLASS OR PANELS

1. Drill a hole $\varnothing 10.5^{+0.2}$ in the glass or in the panel (min. thickness 4 mm).
2. Place the hinge frontally centring the matching part (d3) in the hole and insert the screw.
3. On the opposite side, insert the step washer, flat washer and tighten with a nut (Fig.1).

At least two hinges need to be mounted for correct operation.

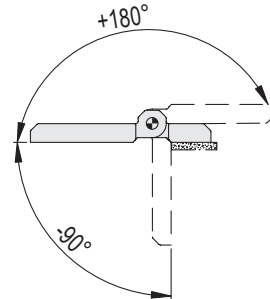
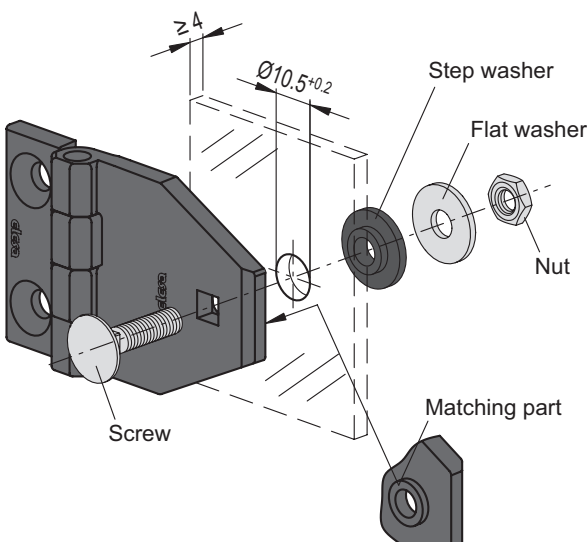
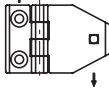
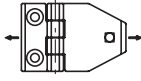
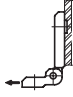
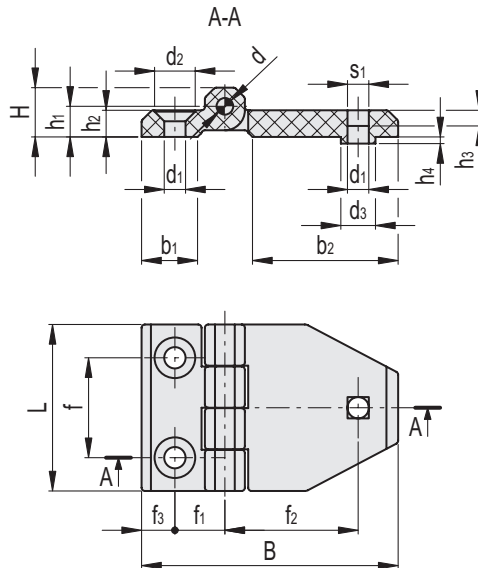


Fig. 1



| Resistance tests | AXIAL STRESS | | RADIAL STRESS | | Load at breakage R90 [N] | |
|--------------------|---|-------------------------|---|-------------------------|---|--------------------------|
| |  | |  | |  | |
| Description | Maximum working load Ea [N] | Load at breakage Ra [N] | Maximum working load Er [N] | Load at breakage Rr [N] | Maximum working load E90 [N] | Load at breakage R90 [N] |
| CFM-TR-G-B.40-SH-5 | 300 | 750 | 420 | 2500 | 420 | 1000 |
| CFM-TR-G-B.50-SH-6 | 270 | 1040 | 480 | 3500 | 480 | 1000 |
| CFM-TR-G-B.60-SH-6 | 250 | 1200 | 370 | 5000 | 370 | 2500 |

The maximum operating load values of the different hinges shown in the tables are merely indicative. They are the result of tests carried out in our laboratories at controlled temperature and humidity (23°C - 50% RH), under specific conditions of use and for a limited period of time. In any case, it is advisable to verify correct operation during installation of the structure.



| Code | Description | L | B | f | f1 | f2 | f3 | H | h1 | h2 | h3 | h4 | b1 | b2 | d | d1 | d2 | d3 | s1 | C# [Nm] | ⚖️ |
|--------|--------------------|----|----|----|------|------|------|------|-----|----|-----|----|----|------|---|-----|------|------|-----|---------|----|
| 426051 | CFM-TR-G-B.40-SH-5 | 40 | 64 | 25 | 12.5 | 32.5 | 7.5 | 9 | 5.5 | 5 | 4.1 | 2 | 14 | 38.5 | 4 | 5.5 | 10.5 | 10.5 | 5.6 | 3 | 27 |
| 426061 | CFM-TR-G-B.50-SH-6 | 50 | 77 | 30 | 15 | 39.5 | 10.5 | 11.5 | 6.5 | 6 | 4.7 | 2 | 18 | 45 | 6 | 6.5 | 12.5 | 10.5 | 6.6 | 5 | 46 |
| 426071 | CFM-TR-G-B.60-SH-6 | 60 | 90 | 36 | 18 | 47.5 | 12.5 | 15 | 8.5 | 8 | 4.7 | 2 | 21 | 51.5 | 8 | 6.5 | 12.5 | 10.5 | 6.6 | 5 | 83 |

Recommended torque flat countersunk head assembly screws. The tightening torque of the nut varies depending on the material and thickness of the panel.

