

Stainless Steel- Captive socket cap screws

with a thin shank for loss prevention

SPECIFICATION

Stainless Steel **NI**
AISI 304 (A2)

INFORMATION

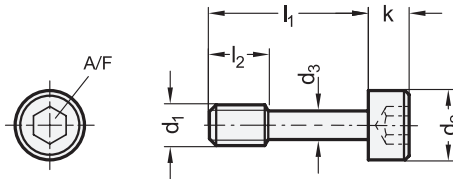
Stainless Steel-Captive socket cap screws GN 912.2 can be used to prevent loss of the thumb screw, due to the d_3 recessed portion of the stud. Thus the „captivity of the fixing element“ according to the Mechanical Engineering Directive 2006 / 42 / EG is given.

When using, instead of a typical tapped and bore hole, it is necessary to provide tapped bores with a thread d_1 on each of the two elements to be assembled. Additionally, a clearance bore of d_4 on one or both sides must be cut. Depending on the design and required clamping length a_1 ... a_3 of the component being attached, there are a number of assembly options as shown above.

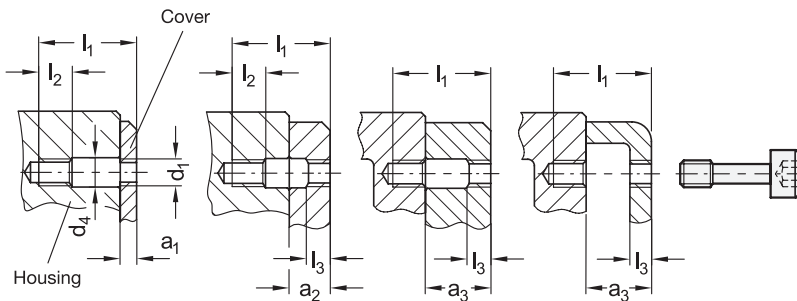


TECHNICAL INFORMATION

- Stainless Steel characteristics (see page A26)
- Plastic characteristics (see page A2)



Assembly options



GN 912.2

STAINLESS STEEL

Description	d1	l1	a1	a2	a3	d2	d3 -0.3	d4	k	l2	l3	A/F	△
GN 912.2-M3-12-NI	M 3	12	1.5-3	3-6.5	6.5-8	5.5	2.2	3.5	3	4	1.5	2.5	1
GN 912.2-M3-16-NI	M 3	16	3-7	7-8	8-12	5.5	2.2	3.5	3	4	1.5	2.5	2
GN 912.2-M4-16-NI	M 4	16	2-5	5-8	8-11	7	3	4.5	4	5	2	3	3
GN 912.2-M4-20-NI	M 4	20	5-9	9-11	11-15	7	3	4.5	4	5	2	3	4
GN 912.2-M5-20-NI	M 5	20	2.5-6	6-10.5	10.5-14	8.5	3.9	5.5	5	6	2.5	4	5
GN 912.2-M5-25-NI	M 5	25	6-11	11-14	14-19	8.5	3.9	5.5	5	6	2.5	4	6
GN 912.2-M6-25-NI	M 6	25	3-7	7-13	13-17	10	4.5	6.5	6	8	3	5	7
GN 912.2-M6-30-NI	M 6	30	7-12	12-17	17-22	10	4.5	6.5	6	8	3	5	8
GN 912.2-M8-30-NI	M 8	30	4-8	8-16	16-20	13	6.3	8.5	8	10	4	6	17
GN 912.2-M8-35-NI	M 8	35	8-13	13-20	20-25	13	6.3	8.5	8	10	4	6	19
GN 912.2-M8-40-NI	M 8	40	13-18	18-25	25-30	13	6.3	8.5	8	10	4	6	21

