

Locking joint sets

for locking plates GN 187.5

SPECIFICATION

TYPES

- Type **K**: with adjustable hand lever
- Type **S**: with socket head cap screw DIN 912

Handle

Zinc die casting
plastic coated
silver, RAL 9006, textured finish

Threaded insert and retaining screw
Stainless Steel AISI 303

Socket head cap screws DIN 912
Stainless Steel A2

Centering threaded bushing
Stainless Steel AISI 304

Washer
Stainless Steel A2

INFORMATION

Locking joint sets GN 187.6 can be used to combine Stainless Steel-Locking heads GN 187.5 (see page) to form locking joints. Thanks to the hexagonal shoulder, which creates a form-locking connection that prevents the part from also turning, the centering threaded bushing allows fast and easy mounting. In the unlocked state, it forms the axis that positions the locking heads center to center.

The use of Stainless Steel-Thrust springs GN 187.2 (see page 1065) allows the locking heads to be cleanly separated from each other.

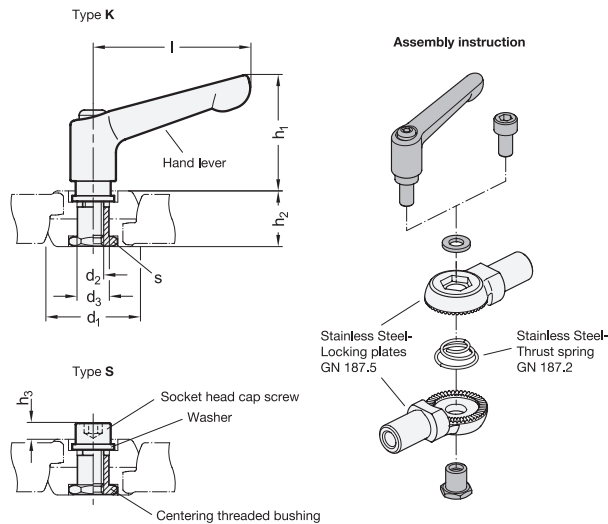
Type K is used in applications requiring frequent and tool-free adjustment of the locking joints.

The parts of the respective type are delivered loose in the set.



TECHNICAL INFORMATION

- Stainless Steel characteristics (see page A26)



GN 187.6

Description	d1	d2	d3	h1	h2	h3	l	s	⚖
GN 187.6-27-K	27	M6	9	33	16	4.6	45	12	43
GN 187.6-27-S	27	M6	9	33	16	4.6	45	12	12
GN 187.6-32-K	32	M6	9	33	19	4.6	45	12	45
GN 187.6-32-S	32	M6	9	33	19	4.6	45	12	14
GN 187.6-40-K	40	M8	11	42.5	24	5.6	63	14	96
GN 187.6-40-S	40	M8	11	42.5	24	5.6	63	14	27