

Supreme
solid-beam heavy-duty slides
Steel, Aluminum and Stainless Steel



Thomas Regout International B.V. offers a broad range of linear motion solutions that help move your application in any direction: horizontal, vertical or diagonal.

Challenge us, in any way. We will present an innovative and integrated total solution, completely adapted to your specific needs and demands. In our own R&D department we design innovative sliding and linear motion systems. Incorporating the highest ISO international and environmental standards that ensure that our products and services are safe, reliable, sustainable and of high quality.

Supreme: solid-beam heavy-duty slides

Together with our partner, we developed an extra heavy-duty industrial slide range up to 2000 kg load capacity. These different types of extra heavy-duty **Supreme** slides, together with the Supra- and TR-7619 slides, enlarge our robust and rigid product range for applications such as; machine building industry, railway and special vehicles applications, medical equipment, automotive, packaging machines, industrial machines and more!

The Supreme range provide a highly accurate and smooth-running movement, under considerable loading. By machining the ball tracks, we can provide beam contact on the ball bearings at four points, which allows for a slight pre-load and effortless extension. The Supreme range is available in interchangeable steel, stainless steel, aluminum and bi-directional / billex options.



Supreme - Stainless Steel



Supreme Billex - Aluminum



Supreme S-type slide - Steel

features and benefits

- 1 extreme load capacity up to 2 tons
- 2 very robust and compact design
- 3 low deflection
- 4 standardized hole pattern
- 5 very rigid and stiff
- 6 different materials for different applications
- 7 customization: length and extension (from 50% up to 200%)
- 8 long life under several conditions



Supreme informations

1. Supreme Steel Slides

Supreme Steel Slides are manufactured from high grade steel type C45 E+C which ensures a slide with strong raceways, fit for the industrial purpose they were designed. Plating is ROHS compliant. Steel beams are plated with an industry standard zinc and passivate 10-12 microns surface protection. Standard ball bearings are chrome plated steel balls with an option to upgrade to stainless steel 304 or 316L.

2. Supreme Aluminum Slides

Supreme Aluminum Slides are manufactured from 6082 T6 aluminum and stainless bearings.

3. Supreme Stainless Steel

Supreme Stainless Steel slides are manufactured from marine grade 316L (1.4404) stainless steel (inox) offering a very high corrosion resistance which ensures a slide with strong raceways, fit for the industrial purpose they were designed. This suits applications such as train battery boxes where solid cross-section stainless steel slides are beyond budget. Aluminum and stainless steel slides have grade 316L bearings as standard.

Load Capacity and Deflection

The Supreme range is available in 44 different models which offer extensions from 50% through to 100% and even 200% of the slide's closed length. We offer bi-directional / billex extension as standard. Our slides are tested to destruction and we confidently work up to 2000 kg with the largest profiles. Load calculations are based upon 1% deflection of the slide's closed length when fully loaded per extended pair. This rises to approximately 2% on our 150% and 200% extension models due to the multiple beams. We recommend that external stops are used within the fabrication on the larger profile slides or those which may be subject to lateral and longitudinal forces. The stops used are limited to speeds not exceeding 0.3 mm/s.

Tested Conditions

The Supreme Range of high strength steel slides have been designed to work under conditions of extreme shock and vibration, particularly applications of under slung battery boxes on trains and heavy drawers on specialist vehicles. The Supreme range has been tried and tested 'double T' beam format where strength and rigidity is required with minimal slide deflection.

Standard Program

The extreme heavy duty drawer slides are available either from stock or on short production lead times. As our standard manufacturing process for the Supreme range is taking stock lengths of cold drawn steel and machining to size, we are able to offer ANY size configuration without the need for expensive tooling, even for low volumes. The slides in this range are sold per piece and not per pair. We can offer customized products (height, thickness, length and extension) by request. So please challenge us with your applications and needs.

Applications

- machine building industry
- railway and special vehicles applications
- medical equipment
- automotive
- packaging machines
- military
- aerospace
- industrial machines



1. Supreme Steel Slides

double T-design in steel (C45C+E)

		type	page
	 <p style="text-align: right;"><i>13840S*</i></p>	13840S*	6
		13850S*	7
		13860S*	8
		13870S*	9
		13880S*	10
		13890S*	11
		138110S*	12
		138120S*	13
		138150S*	14

2. Supreme Aluminum Slides

double T-design in aluminum (6082-T6)

	 <p style="text-align: right;"><i>13870S*7</i></p>	13840S*7	15
		13850S*7	16
		13870S*7	17

3. Supreme Stainless Steel Slides

double T-design in stainless steel (316L)

	 <p style="text-align: right;"><i>13890S*8</i></p>	13840S*8	18
		13850S*8	19
		13860S*8	20
		13870S*8	21
		13890S*8	22



4. Supreme Bilex Steel Slides

double T-design two-way extension in steel (C45C+E)

		type	page
	 <p style="text-align: right;">13890S*</p>	13840S*B	23
		13850S*B	24
		13870S*B	25
		13890S*B	26

5. Supreme Bilex Aluminum Slides

double T-design two way extension in aluminum (6082-T6)

	 <p style="text-align: right;">13870S*7B</p>	13840S*7B	27
		13850S*7B	28
		13870S*7B	29

6. Supreme S-design Steel Slides

S-design in steel (C45C+E)

	 <p style="text-align: right;">13880S*</p>	13880S*	30
		138100S*	31

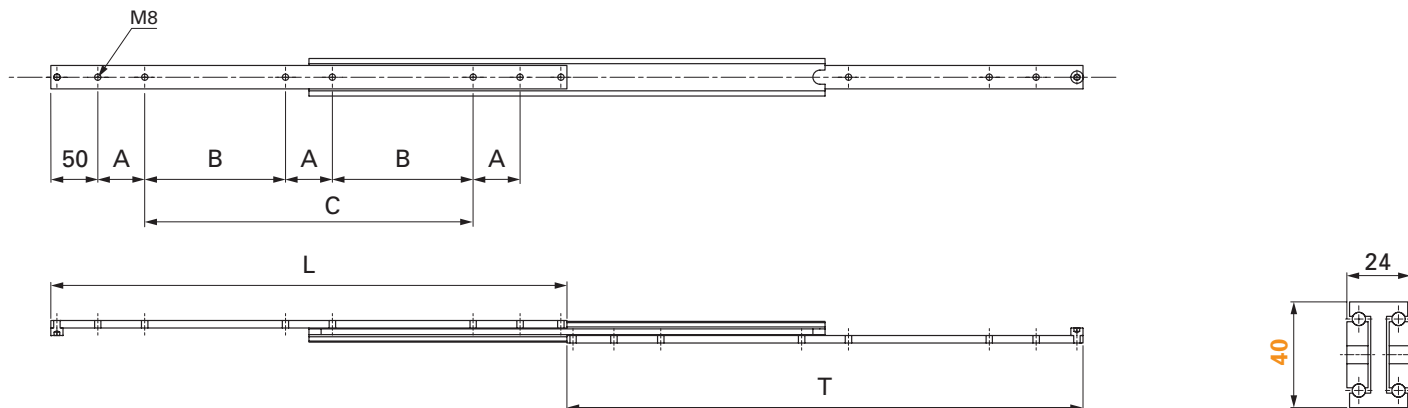


Supreme 13840S*

double T-design in steel



Technical specifications



13840S* double T-design in steel (C45C+E)

Article number	Installation length "L"	Extension length "T"	Load capacity per pair (kg)	Drill table		
				"A"	"B"	"C"
13840S01	200	200	245	50		
13840S02	250	250	250	50		50
13840S03	300	300	245	50		100
13840S04	350	350	240	50		150
13840S05	400	400	235	50		200
13840S06	450	450	230	50		250
13840S07	500	500	225	50		300
13840S08	550	550	220	50	150	
13840S09	600	600	210	50	175	
13840S10	650	650	200	50	200	
13840S11	700	700	195	50	225	
13840S12	750	750	190	50	250	
13840S13	800	800	180	50	275	
13840S14	850	850	170	50	300	
13840S15	900	900	160	50	325	
13840S16	950	950	150	50	350	
13840S17	1000	1000	140	50	375	
13840S18	1050	1050	130	50	400	
13840S19	1100	1100	120	50	425	
13840S20	1150	1150	110	50	450	
13840S21	1200	1200	100	50	475	

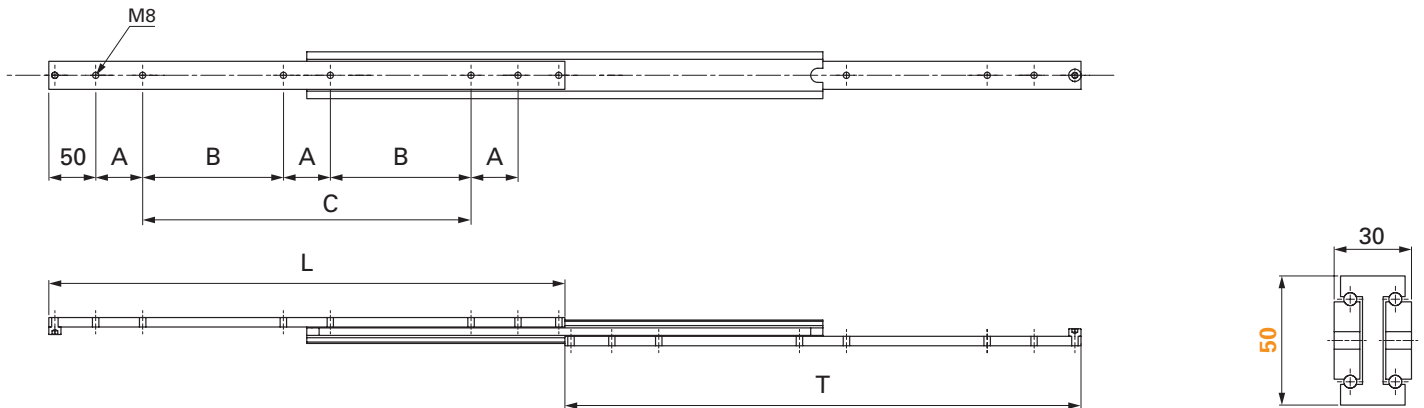




Supreme 13850S*

double T-design in steel

Technical specifications



13850S* double T-design in steel (C45C+E)

Article number	Installation length "L"	Extension length "T"	Load capacity per pair (kg)	Drill table		
				"A"	"B"	"C"
13850S01	200	200	300	50		
13850S02	250	250	310	50		50
13850S03	300	300	320	50		100
13850S04	350	350	330	50		150
13850S05	400	400	340	50		200
13850S06	450	450	350	50		250
13850S07	500	500	360	50		300
13850S08	550	550	370	50	150	
13850S09	600	600	380	50	175	
13850S10	650	650	370	50	200	
13850S11	700	700	360	50	225	
13850S12	750	750	350	50	250	
13850S13	800	800	340	50	275	
13850S14	850	850	330	50	300	
13850S15	900	900	310	50	325	
13850S16	950	950	300	50	350	
13850S17	1000	1000	290	50	375	
13850S18	1050	1050	280	50	400	
13850S19	1100	1100	270	50	425	
13850S20	1150	1150	260	50	450	
13850S21	1200	1200	250	50	475	

other lengths are available upon request

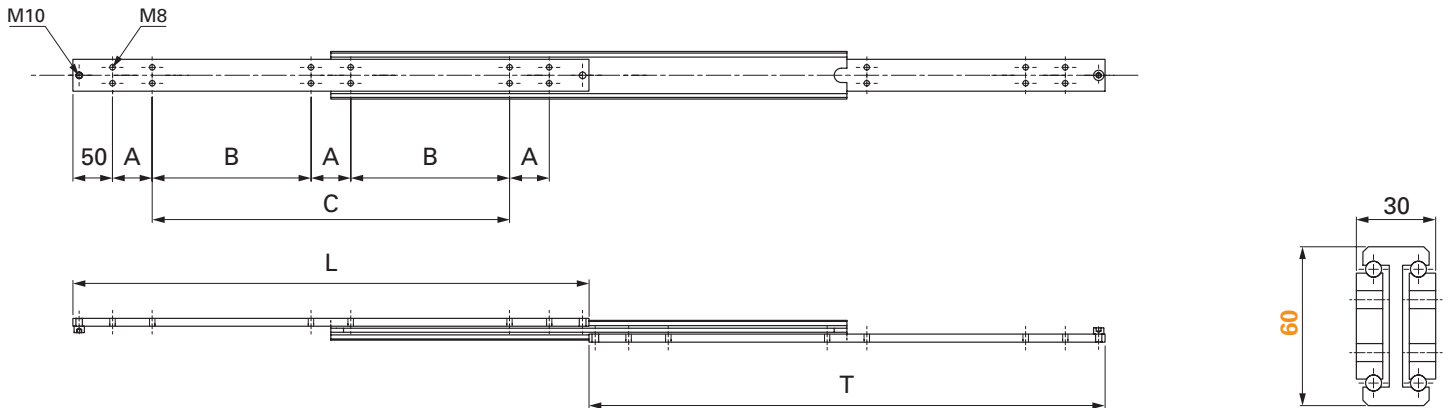


Supreme 13860S*

double T-design in steel



Technical specifications



13860S* double T-design in steel (C45C+E)

Article number	Installation length "L"	Extension length "T"	Load capacity per pair (kg)	Drill table		
				"A"	"B"	"C"
13860S02	250	250	410	50		50
13860S03	300	300	420	50		100
13860S04	350	350	430	50		150
13860S05	400	400	435	50		200
13860S06	450	450	440	50		250
13860S07	500	500	446	50		300
13860S08	550	550	460	50	150	
13860S09	600	600	472	50	175	
13860S10	650	650	484	50	200	
13860S11	700	700	498	50	225	
13860S12	750	750	510	50	250	
13860S13	800	800	518	50	275	
13860S14	850	850	522	50	300	
13860S15	900	900	520	50	325	
13860S16	950	950	510	50	350	
13860S17	1000	1000	503	50	375	
13860S18	1050	1050	484	50	400	
13860S19	1100	1100	465	50	425	
13860S20	1150	1150	443	50	450	
13860S21	1200	1200	420	50	475	

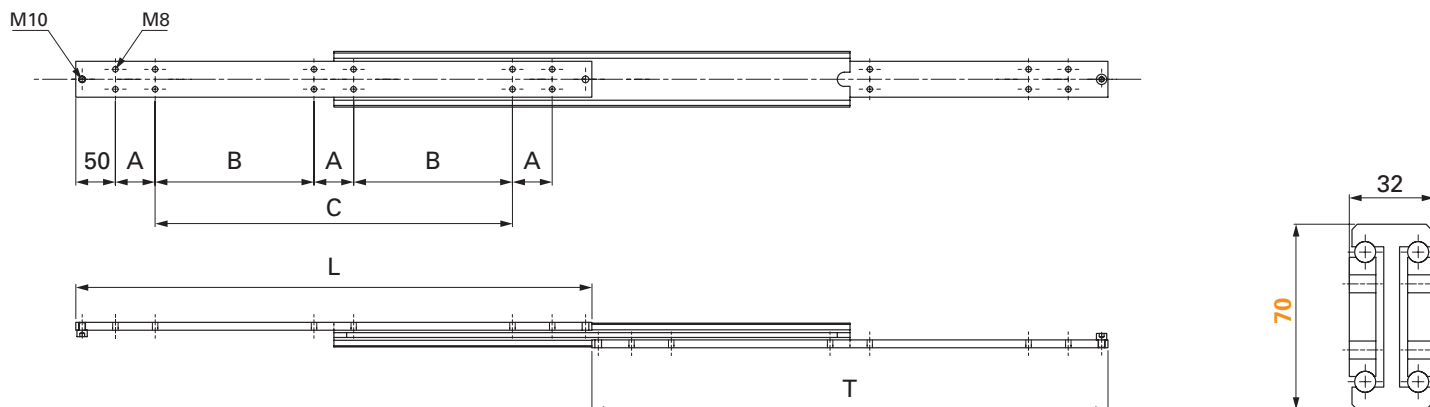




Supreme 13870S*

double T-design in steel

Technical specifications



13870S* double T-design in steel (C45C+E)

Article number	Installation length "L"	Extension length "T"	Load capacity per pair (kg)	Drill table		
				"A"	"B"	"C"
13870S02	250	250	500	50		
13870S03	300	300	575	50		100
13870S04	350	350	550	50		150
13870S05	400	400	600	50		200
13870S06	450	450	625	50		250
13870S07	500	500	630	50		300
13870S08	550	550	645	50		350
13870S09	600	600	650	50		400
13870S10	650	650	630	50	200	
13870S11	700	700	615	50	225	
13870S12	750	750	617	50	250	
13870S13	800	800	626	50	275	
13870S14	850	850	632	50	300	
13870S15	900	900	632	50	325	
13870S16	950	950	621	50	350	
13870S17	1000	1000	610	50	375	
13870S18	1050	1050	587	50	400	
13870S19	1100	1100	564	50	425	
13870S20	1150	1150	536	50	450	
13870S21	1200	1200	509	50	475	

other lengths are available upon request

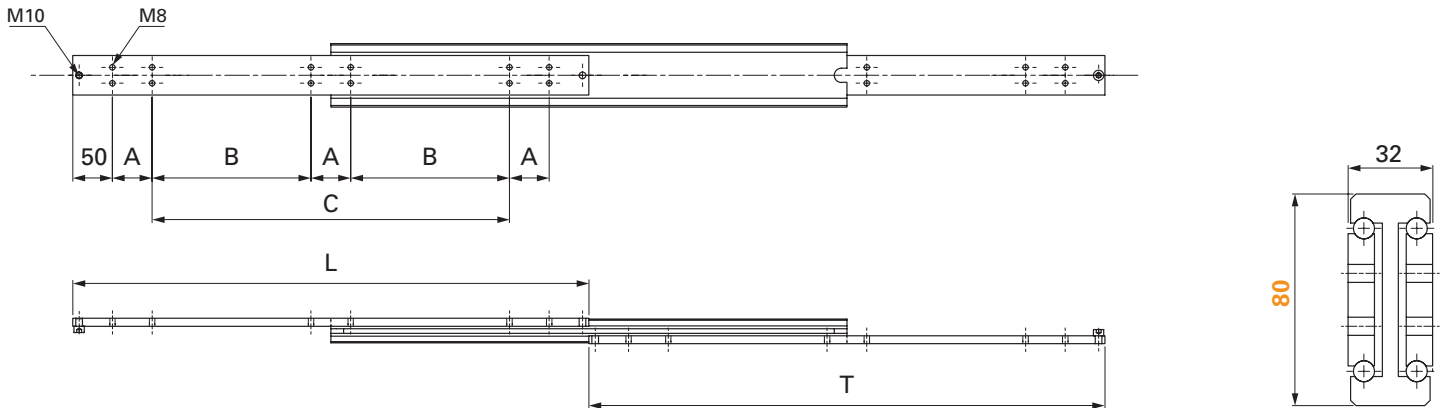


Supreme 13880S*

double T-design in steel



Technical specifications



13880S* double T-design in steel (C45C+E)

Article number	Installation length "L"	Extension length "T"	Load capacity per pair (kg)	Drill table		
				"A"	"B"	"C"
13880S42	300	300	630	50		100
13880S43	350	350	660	50		150
13880S44	400	400	690	50		200
13880S45	450	450	720	50		250
13880S46	500	500	736	50		300
13880S47	550	550	744	50		350
13880S48	600	600	758	50		400
13880S49	650	650	756	50	200	
13880S50	700	700	754	50	225	
13880S51	750	750	740	50	250	
13880S52	800	800	730	50	275	
13880S53	850	850	720	50	300	
13880S54	900	900	710	50	325	
13880S55	950	950	700	50	350	
13880S56	1000	1000	690	50	375	
13880S57	1050	1050	680	50	400	
13880S58	1100	1100	670	50	425	
13880S59	1150	1150	660	50	450	
13880S60	1200	1200	650	50	475	

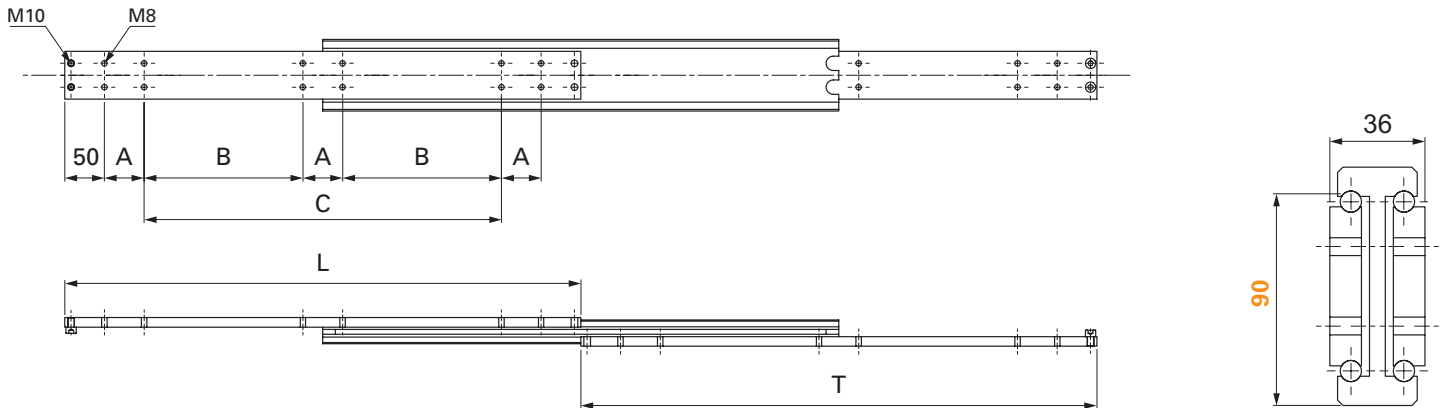




Supreme 13890S*

double T-design in steel

Technical specifications



13890S* double T-design in steel (C45C+E)

Article number	Installation length "L"	Extension length "T"	Load capacity per pair (kg)	Drill table		
				"A"	"B"	"C"
13890S03	300	300	1125	50		100
13890S04	350	350	1125	50		150
13890S05	400	400	1125	50		200
13890S06	450	450	1100	50		250
13890S07	500	500	1080	50		300
13890S08	550	550	1060	50		350
13890S09	600	600	1050	50		400
13890S10	650	650	1040	50	200	
13890S11	700	700	1025	50	225	
13890S12	750	750	1000	50	250	
13890S13	800	800	975	50	275	
13890S14	850	850	950	50	300	
13890S15	900	900	925	50	325	
13890S16	950	950	910	50	350	
13890S17	1000	1000	900	50	375	
13890S18	1050	1050	898	50	400	
13890S19	1100	1100	897	50	425	
13890S20	1150	1150	892	50	450	
13890S21	1200	1200	885	50	475	

other lengths are available upon request

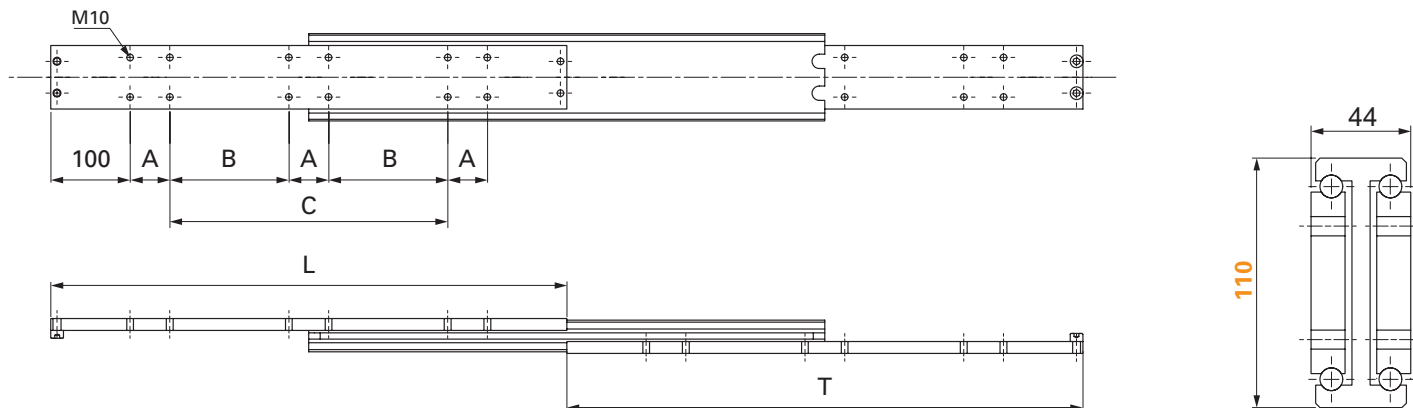


Supreme 138110S*

double T-design in steel



Technical specifications



138110S* double T-design in steel (C45C+E)

Article number	Installation length "L"	Extension length "T"	Load capacity per pair (kg)	Drill table		
				"A"	"B"	"C"
138110S03	300	300	1300	100		
138110S04	350	350	1350	50		50
138110S05	400	400	1400	50		100
138110S06	450	450	1450	50		150
138110S07	500	500	1500	50		200
138110S08	550	550	1450	50		250
138110S09	600	600	1400	50		300
138110S10	650	650	1350	50	150	
138110S11	700	700	1300	50	175	
138110S12	750	750	1250	50	200	
138110S13	800	800	1200	100	150	
138110S14	850	850	1150	100	175	
138110S15	900	900	1100	100	200	
138110S16	950	950	1050	100	225	
138110S17	1000	1000	1000	100	250	
138110S18	1050	1050	999	100	275	
138110S19	1100	1100	995	100	300	
138110S20	1150	1150	994	100	325	
138110S21	1200	1200	993	100	350	

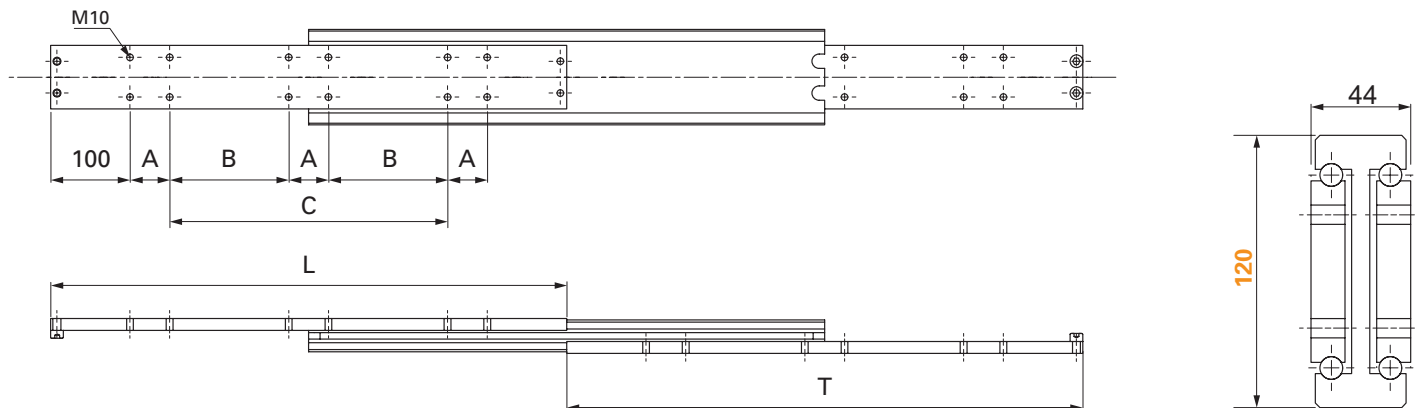




Supreme 138120S*

double T-design in steel

Technical specifications



138120S* double T-design in steel (C45C+E)

Article number	Installation length "L"	Extension length "T"	Load capacity per pair (kg)	Drill table		
				"A"	"B"	"C"
138120S03	300	300	1430	100		
138120S04	350	350	1485	50		50
138120S05	400	400	1540	50		100
138120S06	450	450	1595	50		150
138120S07	500	500	1650	50		200
138120S08	550	550	1595	50		250
138120S09	600	600	1540	50		300
138120S10	650	650	1485	50	150	
138120S11	700	700	1430	50	175	
138120S12	750	750	1375	50	200	
138120S13	800	800	1320	100	150	
138120S14	850	850	1265	100	175	
138120S15	900	900	1210	100	200	
138120S16	950	950	1155	100	225	
138120S17	1000	1000	1100	100	250	
138120S18	1050	1050	1099	100	275	
138120S19	1100	1100	1095	100	300	
138120S20	1150	1150	1093	100	325	
138120S21	1200	1200	1092	100	350	

other lengths are available upon request

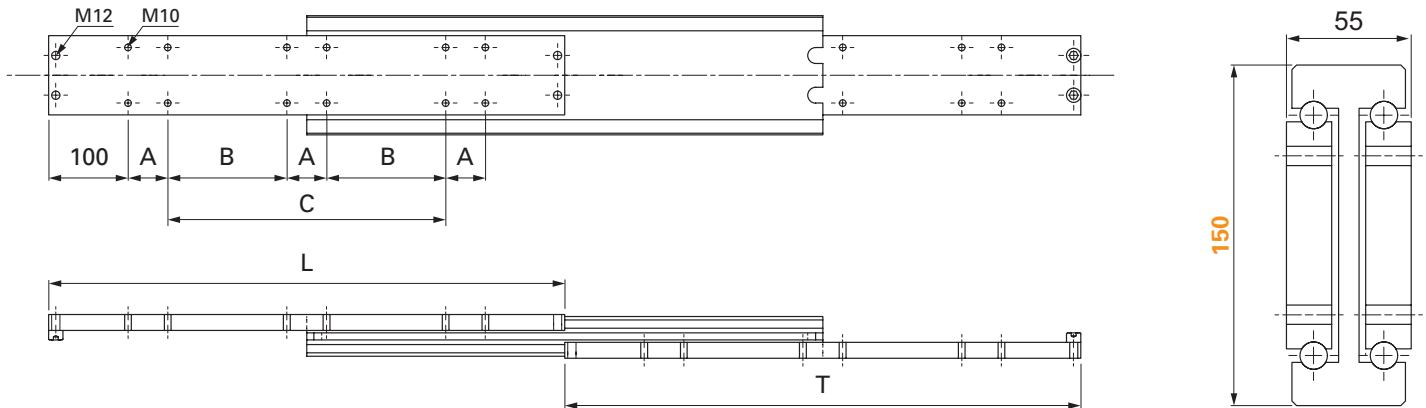


Supreme 138150S*

double T-design in steel



Technical specifications



138150S* double T-design in steel (C45C+E)

Article number	Installation length "L"	Extension length "T"	Load capacity per pair (kg)	Drill table		
				"A"	"B"	"C"
138150S03	300	300	1680	100		
138150S04	350	350	1740	50		50
138150S05	400	400	1800	50		100
138150S06	450	450	1860	50		150
138150S07	500	500	1920	50		200
138150S08	550	550	1980	50		250
138150S09	600	600	2040	50		300
138150S10	650	650	1980	50	150	
138150S11	700	700	1920	100	175	
138150S12	750	750	1860	100	200	
138150S13	800	800	1800	100	150	
138150S14	850	850	1740	100	175	
138150S15	900	900	1680	100	200	
138150S16	950	950	1620	100	225	
138150S17	1000	1000	1560	100	250	
138150S18	1050	1050	1536	100	275	
138150S19	1100	1100	1500	100	300	
138150S20	1150	1150	1464	100	325	
138150S21	1200	1200	1440	100	350	

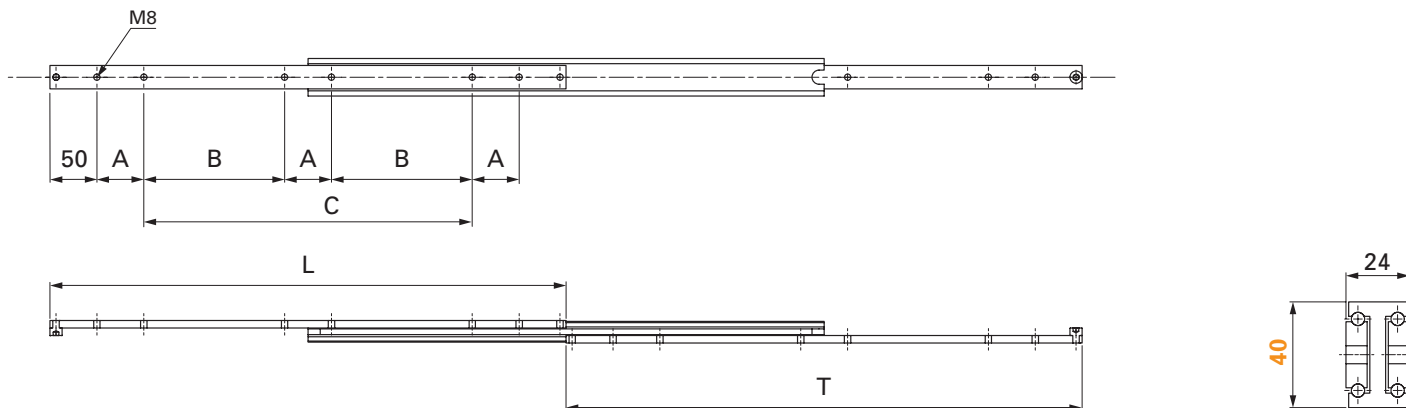


Supreme 13840S*7

double T-design in aluminum



Technical specifications



13840S*7 double T-design in aluminum (6082-T6)

Article number	Installation length "L"	Extension length "T"	Load capacity per pair (kg)	Drill table		
				"A"	"B"	"C"
13840S017	200	200	70	50		
13840S027	250	250	75	50		50
13840S037	300	300	80	50		100
13840S047	350	350	85	50		150
13840S057	400	400	90	50		200
13840S067	450	450	95	50		250
13840S077	500	500	100	50		300
13840S087	550	550	105	50	150	
13840S097	600	600	110	50	175	
13840S107	650	650	105	50	200	
13840S117	700	700	100	50	225	
13840S127	750	750	95	50	250	
13840S137	800	800	90	50	275	
13840S147	850	850	85	50	300	
13840S157	900	900	80	50	325	
13840S167	950	950	75	50	350	
13840S177	1000	1000	70	50	375	
13840S187	1050	1050	65	50	400	
13840S197	1100	1100	60	50	425	
13840S207	1150	1150	55	50	450	
13840S217	1200	1200	50	50	475	

other lengths are available upon request

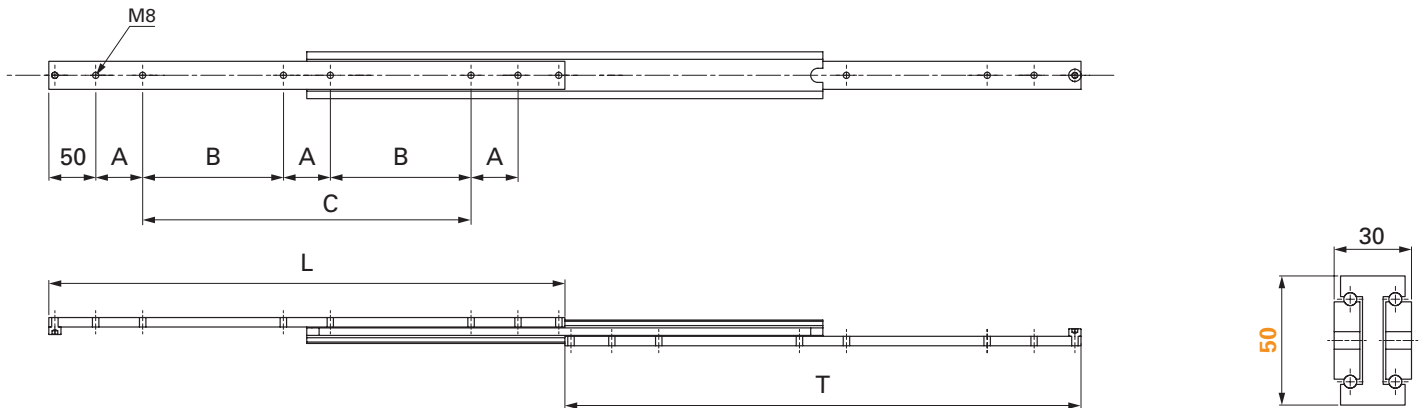


Supreme 13850S*7

double T-design in aluminum



Technical specifications



13850S*7 double T-design in aluminum (6082-T6)

Article number	Installation length "L"	Extension length "T"	Load capacity per pair (kg)	Drill table		
				"A"	"B"	"C"
13850S017	200	200	115	50		
13850S027	250	250	120	50		50
13850S037	300	300	126	50		100
13850S047	350	350	132	50		150
13850S057	400	400	138	50		200
13850S067	450	450	143	50		250
13850S077	500	500	150	50		300
13850S087	550	550	155	50	150	
13850S097	600	600	161	50	175	
13850S107	650	650	155	50	200	
13850S117	700	700	150	50	225	
13850S127	750	750	143	50	250	
13850S137	800	800	138	50	275	
13850S147	850	850	132	50	300	
13850S157	900	900	126	50	325	
13850S167	950	950	120	50	350	
13850S177	1000	1000	115	50	375	
13850S187	1050	1050	109	50	400	
13850S197	1100	1100	103	50	425	
13850S207	1150	1150	97	50	450	
13850S217	1200	1200	92	50	475	

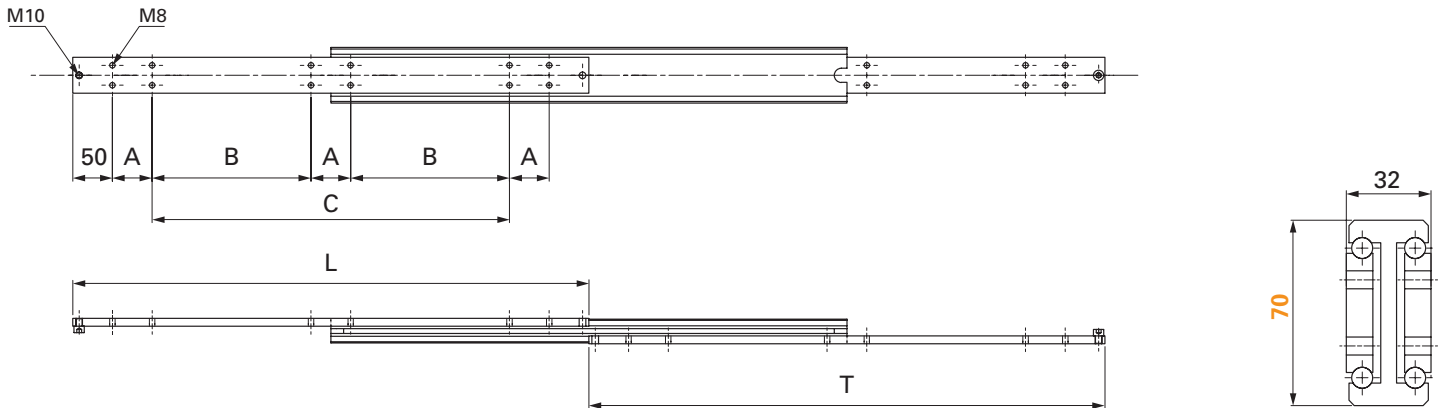


Supreme 13870S*7

double T-design in aluminum



Technical specifications



13870S*7 double T-design in aluminum (6082-T6)

Article number	Installation length "L"	Extension length "T"	Load capacity per pair (kg)	Drill table		
				"A"	"B"	"C"
13870S017	200	200	228	50		
13870S027	250	250	240	50		50
13870S037	300	300	252	50		100
13870S047	350	350	264	50		150
13870S057	400	400	276	50		200
13870S067	450	450	288	50		250
13870S077	500	500	300	50		300
13870S087	550	550	312	50		350
13870S097	600	600	324	50		400
13870S107	650	650	312	50	200	
13870S117	700	700	300	50	225	
13870S127	750	750	288	50	250	
13870S137	800	800	276	50	275	
13870S147	850	850	264	50	300	
13870S157	900	900	252	50	325	
13870S167	950	950	246	50	350	
13870S177	1000	1000	240	50	375	
13870S187	1050	1050	228	50	400	
13870S197	1100	1100	222	50	425	
13870S207	1150	1150	216	50	450	
13870S217	1200	1200	210	50	475	

other lengths are available upon request

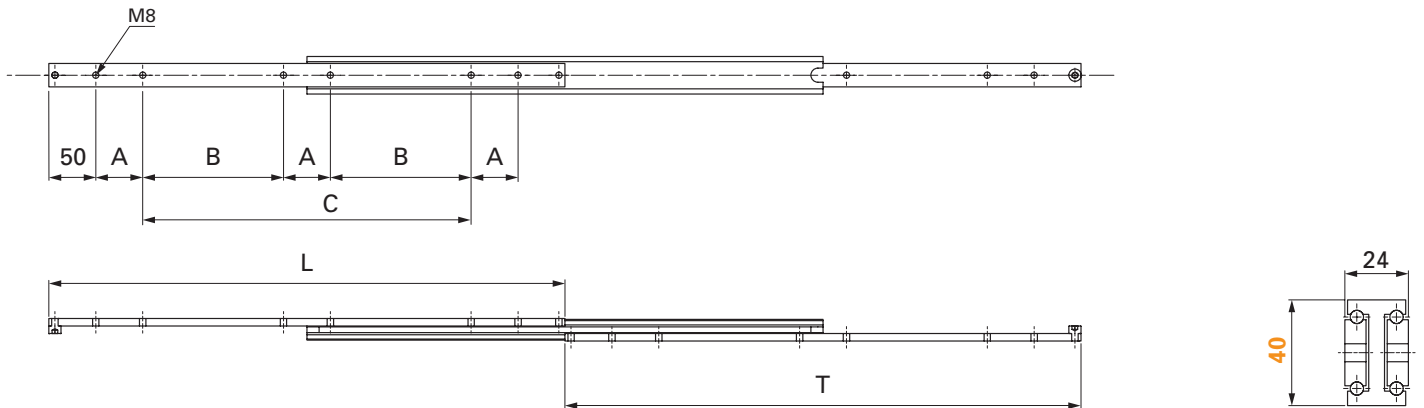


Supreme 13840S*8

double T-design stainless steel



Technical specifications



13840*8 double T-design in stainless steel (316L)

Article number	Installation length "L"	Extension length "T"	Load capacity per pair (kg)	Drill table		
				"A"	"B"	"C"
13840S018	200	200	245	50		
13840S028	250	250	250	50		50
13840S038	300	300	245	50		100
13840S048	350	350	240	50		150
13840S058	400	400	235	50		200
13840S068	450	450	230	50		250
13840S078	500	500	225	50		300
13840S088	550	550	220	50	150	
13840S098	600	600	210	50	175	
13840S108	650	650	200	50	200	
13840S118	700	700	195	50	225	
13840S128	750	750	190	50	250	
13840S138	800	800	180	50	275	
13840S148	850	850	170	50	300	
13840S158	900	900	160	50	325	
13840S168	950	950	150	50	350	
13840S178	1000	1000	140	50	375	
13840S188	1050	1050	130	50	400	
13840S198	1100	1100	120	50	425	
13840S208	1150	1150	110	50	450	
13840S218	1200	1200	100	50	475	

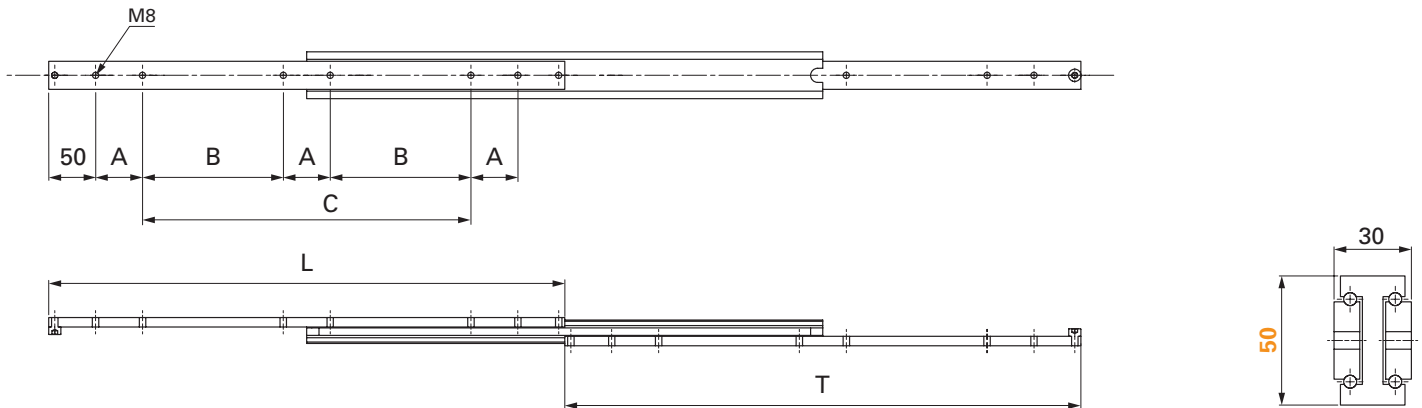




Supreme 13850S*8

double T-design stainless steel

Technical specifications



13850*8 double T-design in stainless steel (316L)

Article number	Installation length "L"	Extension length "T"	Load capacity per pair (kg)	Drill table		
				"A"	"B"	"C"
13850S018	200	200	300	50		
13850S028	250	250	310	50		50
13850S038	300	300	320	50		100
13850S048	350	350	330	50		150
13850S058	400	400	340	50		200
13850S068	450	450	350	50		250
13850S078	500	500	360	50		300
13850S088	550	550	370	50	150	
13850S098	600	600	380	50	175	
13850S108	650	650	370	50	200	
13850S118	700	700	360	50	225	
13850S128	750	750	350	50	250	
13850S138	800	800	340	50	275	
13850S148	850	850	330	50	300	
13850S158	900	900	310	50	325	
13850S168	950	950	300	50	350	
13850S178	1000	1000	290	50	375	
13850S188	1050	1050	280	50	400	
13850S198	1100	1100	270	50	425	
13850S208	1150	1150	260	50	450	
13850S218	1200	1200	250	50	475	

other lengths are available upon request

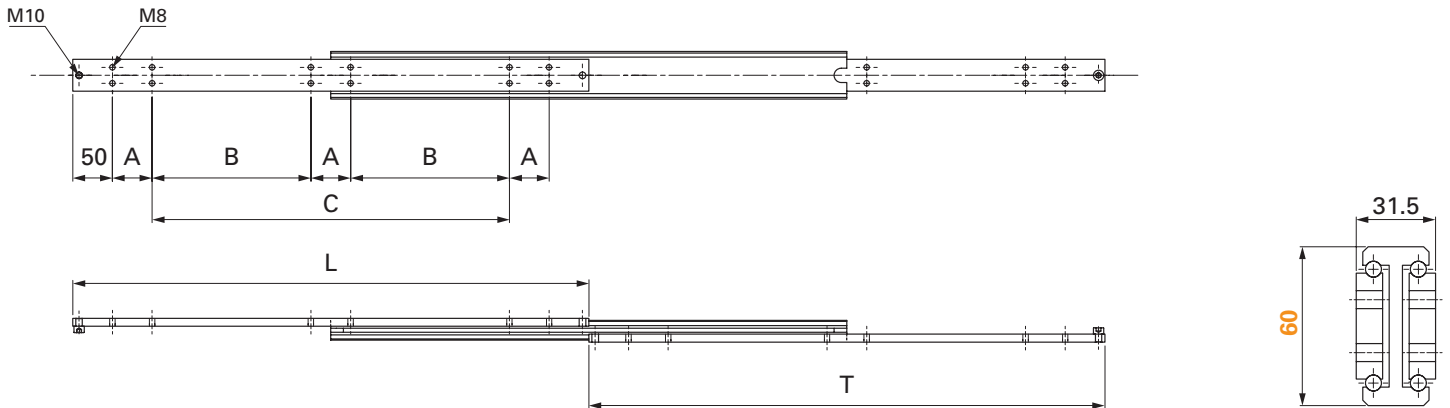


Supreme 13860S*8

double T-design stainless steel



Technical specifications



13860*8 double T-design in stainless steel (316L)

Article number	Installation length "L"	Extension length "T"	Load capacity per pair (kg)	Drill table		
				"A"	"B"	"C"
13860S028	250	250	410	50		50
13860S038	300	300	420	50		100
13860S048	350	350	430	50		150
13860S058	400	400	435	50		200
13860S068	450	450	440	50		250
13860S078	500	500	446	50		300
13860S088	550	550	460	50	150	
13860S098	600	600	472	50	175	
13860S108	650	650	484	50	200	
13860S118	700	700	498	50	225	
13860S128	750	750	510	50	250	
13860S138	800	800	518	50	275	
13860S148	850	850	522	50	300	
13860S158	900	900	520	50	325	
13860S168	950	950	510	50	350	
13860S178	1000	1000	503	50	375	
13860S188	1050	1050	484	50	400	
13860S198	1100	1100	465	50	425	
13860S208	1150	1150	443	50	450	
13860S218	1200	1200	420	50	475	

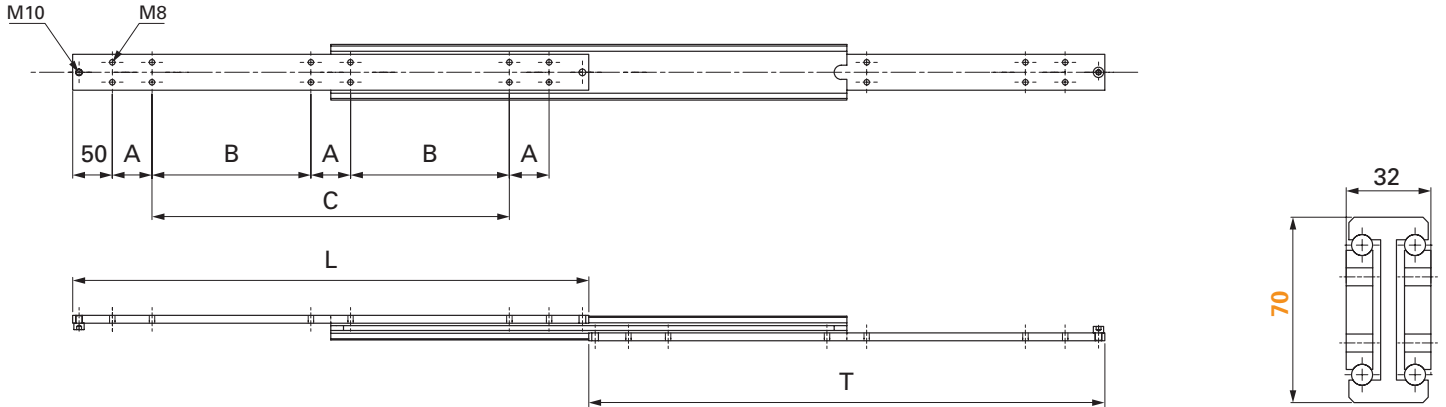




Supreme 13870S*8

double T-design stainless steel

Technical specifications



13870*8 double T-design in stainless steel (316L)

Article number	Installation length "L"	Extension length "T"	Load capacity per pair (kg)	Drill table		
				"A"	"B"	"C"
13870S028	250	250	500	50		50
13870S038	300	300	575	50		100
13870S048	350	350	550	50		150
13870S058	400	400	600	50		200
13870S068	450	450	625	50		250
13870S078	500	500	630	50		300
13870S088	550	550	645	50		350
13870S098	600	600	650	50		400
13870S108	650	650	630	50	200	
13870S118	700	700	615	50	225	
13870S128	750	750	617	50	250	
13870S138	800	800	626	50	275	
13870S148	850	850	632	50	300	
13870S158	900	900	632	50	325	
13870S168	950	950	621	50	350	
13870S178	1000	1000	610	50	375	
13870S188	1050	1050	587	50	400	
13870S198	1100	1100	564	50	425	
13870S208	1150	1150	536	50	450	
13870S218	1200	1200	509	50	475	

other lengths are available upon request

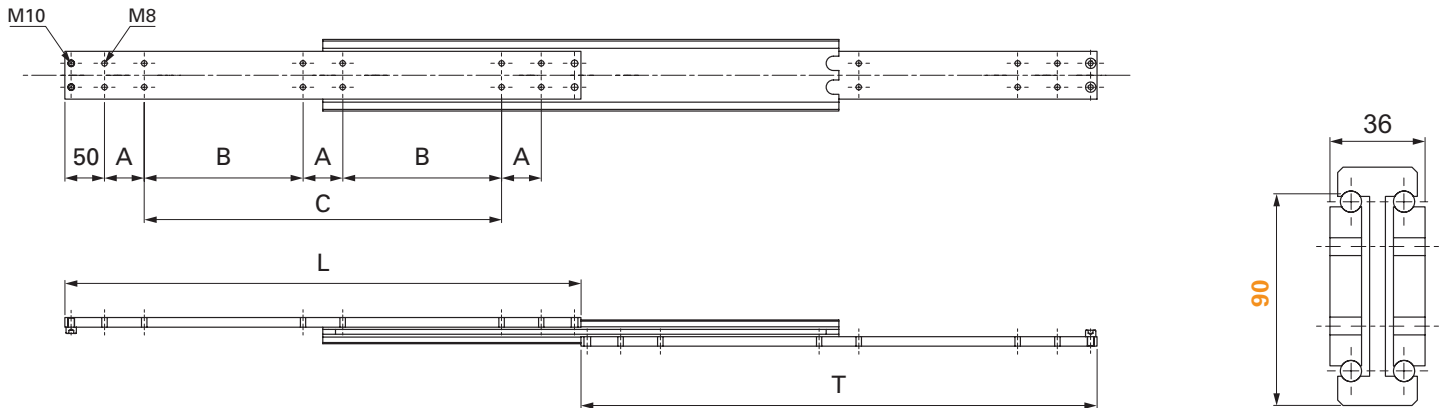


Supreme 13890S*8

double T-design stainless steel



Technical specifications



13890*8 double T-design in stainless steel (316L)

Article number	Installation length "L"	Extension length "T"	Load capacity per pair (kg)	Drill table		
				"A"	"B"	"C"
13890S038	300	300	1125	50		100
13890S048	350	350	1125	50		150
13890S058	400	400	1125	50		200
13890S068	450	450	1100	50		250
13890S078	500	500	1080	50		300
13890S088	550	550	1060	50		350
13890S098	600	600	1050	50		400
13890S108	650	650	1040	50	200	
13890S118	700	700	1025	50	225	
13890S128	750	750	1000	50	250	
13890S138	800	800	975	50	275	
13890S148	850	850	950	50	300	
13890S158	900	900	925	50	325	
13890S168	950	950	910	50	350	
13890S178	1000	1000	900	50	375	
13890S188	1050	1050	898	50	400	
13890S198	1100	1100	897	50	425	
13890S208	1150	1150	892	50	450	
13890S218	1200	1200	885	50	475	

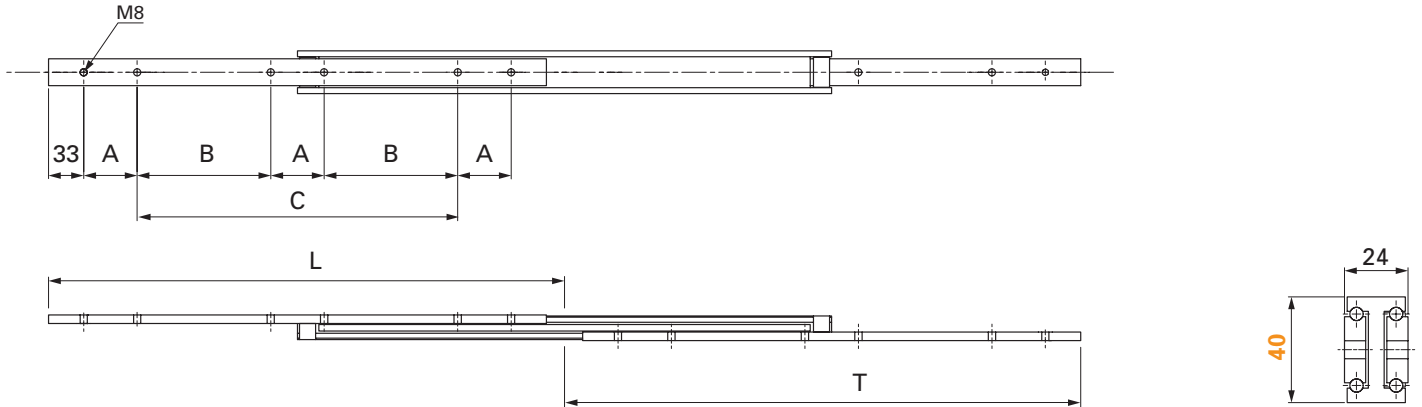




Supreme 13840S*B

bilox double T-design two-way extension in steel

Technical specifications



13840S*B bilox double T-design two-way extension in steel (C45C+E)

Article number	Installation length "L"	Extension length "T"	Load capacity per pair (kg)	Drill table		
				"A"	"B"	"C"
13840S01B	200	200	250	50		
13840S02B	250	250	245	50		50
13840S03B	300	300	240	50		100
13840S04B	350	350	235	50		150
13840S05B	400	400	230	50		200
13840S06B	450	450	225	50		250
13840S07B	500	500	220	50		300
13840S08B	550	550	210	50	150	
13840S09B	600	600	205	50	175	
13840S10B	650	650	200	50	200	
13840S11B	700	700	195	50	225	
13840S12B	750	750	190	50	250	
13840S13B	800	800	180	50	275	
13840S14B	850	850	170	50	300	
13840S15B	900	900	160	50	325	
13840S16B	950	950	150	50	350	
13840S17B	1000	1000	140	50	375	
13840S18B	1050	1050	130	50	400	
13840S19B	1100	1100	120	50	425	
13840S20B	1150	1150	110	50	450	
13840S21B	1200	1200	100	50	475	

other lengths are available upon request

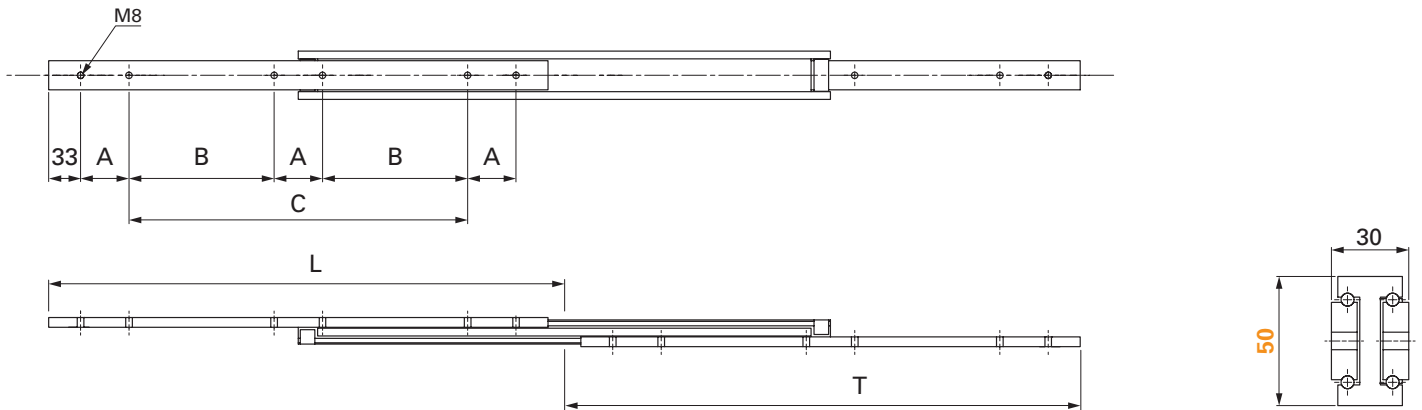


Supreme 13850S*B

bilex double T-design two-way extension in steel



Technical specifications



13850S*B bilex double T-design two-way extension in steel (C45C+E)

Article number	Installation length "L"	Extension length "T"	Load capacity per pair (kg)	Drill table		
				"A"	"B"	"C"
13850S01B	200	200	300	50		
13850S02B	250	250	340	50		50
13850S03B	300	300	370	50		100
13850S04B	350	350	360	50		150
13850S05B	400	400	350	50		200
13850S06B	450	450	340	50		250
13850S07B	500	500	330	50		300
13850S08B	550	550	320	50	150	
13850S09B	600	600	310	50	175	
13850S10B	650	650	300	50	200	
13850S11B	700	700	290	50	225	
13850S12B	750	750	280	50	250	
13850S13B	800	800	270	50	275	
13850S14B	850	850	260	50	300	
13850S15B	900	900	250	50	325	
13850S16B	950	950	240	50	350	
13850S17B	1000	1000	230	50	375	
13850S18B	1050	1050	220	50	400	
13850S19B	1100	1100	210	50	425	
13850S20B	1150	1150	205	50	450	
13850S21B	1200	1200	200	50	475	

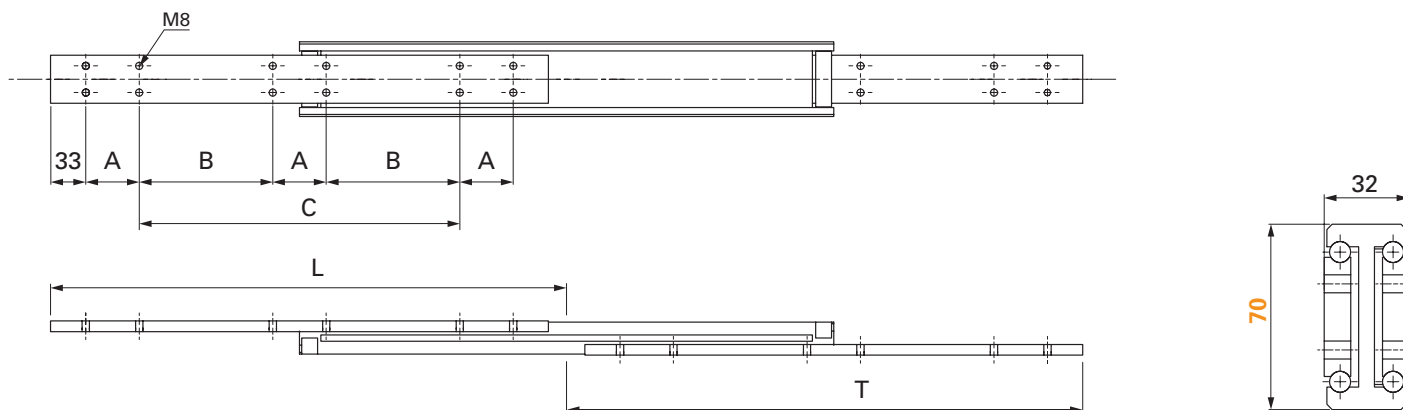




Supreme 13870S*B

biler double T-design two-way extension in steel

Technical specifications



13870S*B biler double T-design two-way extension in steel (C45C+E)

Article number	Installation length "L"	Extension length "T"	Load capacity per pair (kg)	Drill table		
				"A"	"B"	"C"
13870S05B	400	400	600	50		200
13870S06B	450	450	625	50		250
13870S07B	500	500	630	50		300
13870S08B	550	550	645	50		350
13870S09B	600	600	650	50		400
13870S10B	650	650	630	50	200	
13870S11B	700	700	615	50	225	
13870S12B	750	750	595	50	250	
13870S13B	800	800	575	50	275	
13870S14B	850	850	560	50	300	
13870S15B	900	900	535	50	325	
13870S16B	950	950	510	50	350	
13870S17B	1000	1000	495	50	375	
13870S18B	1050	1050	475	50	400	
13870S19B	1100	1100	455	50	425	
13870S20B	1150	1150	435	50	450	
13870S21B	1200	1200	415	50	475	

other lengths are available upon request

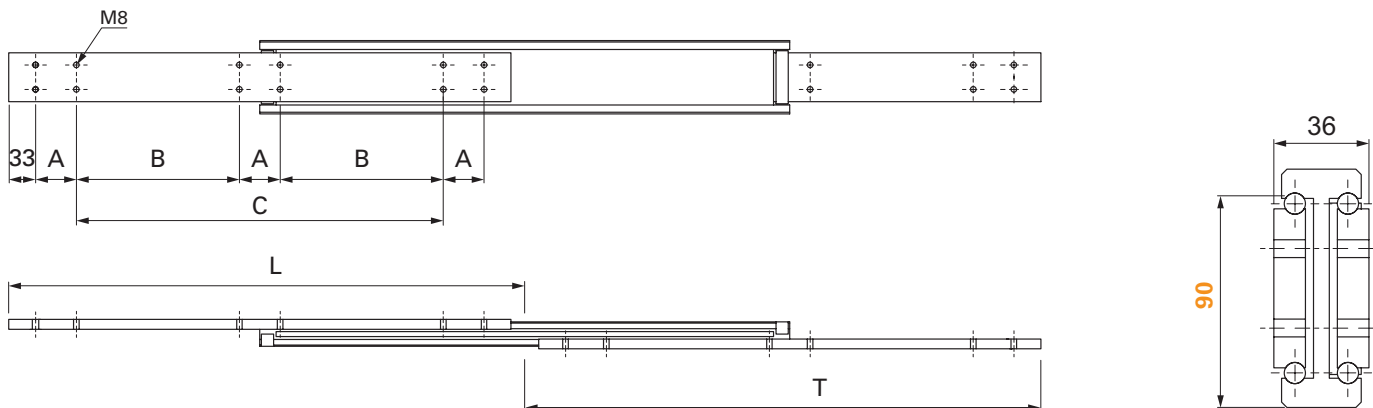


Supreme 13890S*B

bilex double T-design two-way extension in steel



Technical specifications



13890S*B bilex double T-design two-way extension in steel (C45C+E)

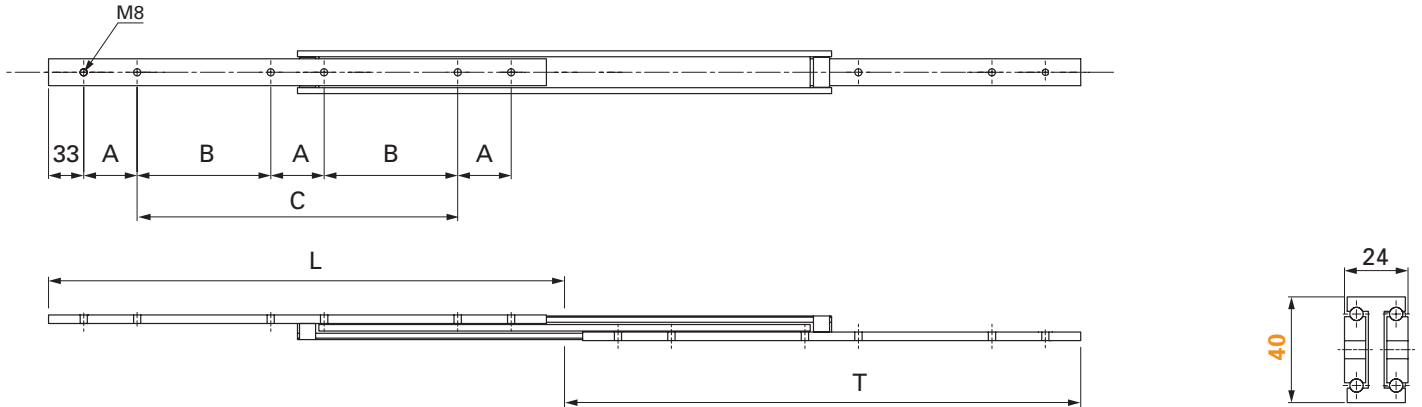
Article number	Installation length "L"	Extension length "T"	Load capacity per pair (kg)	Drill table		
				"A"	"B"	"C"
13890S03B	300	300	1125	50		100
13890S04B	350	350	1125	50		150
13890S05B	400	400	1125	50		200
13890S06B	450	450	1100	50		250
13890S07B	500	500	1080	50		300
13890S08B	550	550	1060	50		350
13890S09B	600	600	1050	50		400
13890S10B	650	650	1040	50	200	
13890S11B	700	700	1025	50	225	
13890S12B	750	750	1000	50	250	
13890S13B	800	800	975	50	275	
13890S14B	850	850	950	50	300	
13890S15B	900	900	920	50	325	
13890S16B	950	950	890	50	350	
13890S17B	1000	1000	860	50	375	
13890S18B	1050	1050	830	50	400	
13890S19B	1100	1100	805	50	425	
13890S20B	1150	1150	775	50	450	
13890S21B	1200	1200	750	50	475	





Supreme 13840S*7B

biler double T-design two-way extension in aluminum



13840S*7B biler double T-design two way extension in aluminum (6082-T6)

Article number	Installation length "L"	Extension length "T"	Load capacity per pair (kg)	Drill table		
				"A"	"B"	"C"
13840S017B	200	200	70	50		
13840S027B	250	250	75	50		50
13840S037B	300	300	80	50		100
13840S047B	350	350	85	50		150
13840S057B	400	400	90	50		200
13840S067B	450	450	95	50		250
13840S077B	500	500	100	50		300
13840S087B	550	550	105	50	150	
13840S097B	600	600	110	50	175	
13840S107B	650	650	105	50	200	
13840S117B	700	700	100	50	225	
13840S127B	750	750	95	50	250	
13840S137B	800	800	90	50	275	
13840S147B	850	850	85	50	300	
13840S157B	900	900	80	50	325	
13840S167B	950	950	75	50	350	
13840S177B	1000	1000	70	50	375	
13840S187B	1050	1050	65	50	400	
13840S197B	1100	1100	60	50	425	
13840S207B	1150	1150	55	50	450	
13840S217B	1200	1200	50	50	475	

other lengths are available upon request

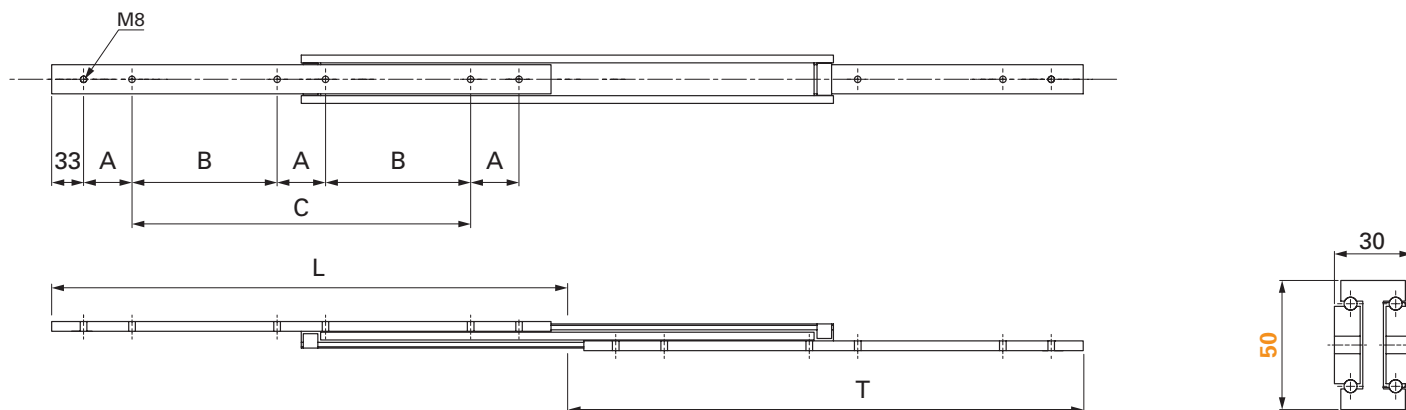


Supreme 13850S*7B

bilex double T-design two-way extension in aluminum



Technical specifications



13850S*7B bilex double T-design two way extension in aluminum (6082-T6)

Article number	Installation length "L"	Extension length "T"	Load capacity per pair (kg)	Drill table		
				"A"	"B"	"C"
13850S017B	200	200	115	50		
13850S027B	250	250	120	50		50
13850S037B	300	300	126	50		100
13850S047B	350	350	132	50		150
13850S057B	400	400	138	50		200
13850S067B	450	450	143	50		250
13850S077B	500	500	150	50		300
13850S087B	550	550	155	50	150	
13850S097B	600	600	161	50	175	
13850S107B	650	650	155	50	200	
13850S117B	700	700	150	50	225	
13850S127B	750	750	143	50	250	
13850S137B	800	800	138	50	275	
13850S147B	850	850	132	50	300	
13850S157B	900	900	126	50	325	
13850S167B	950	950	120	50	350	
13850S177B	1000	1000	115	50	375	
13850S187B	1050	1050	109	50	400	
13850S197B	1100	1100	103	50	425	
13850S207B	1150	1150	97	50	450	
13850S217B	1200	1200	92	50	475	

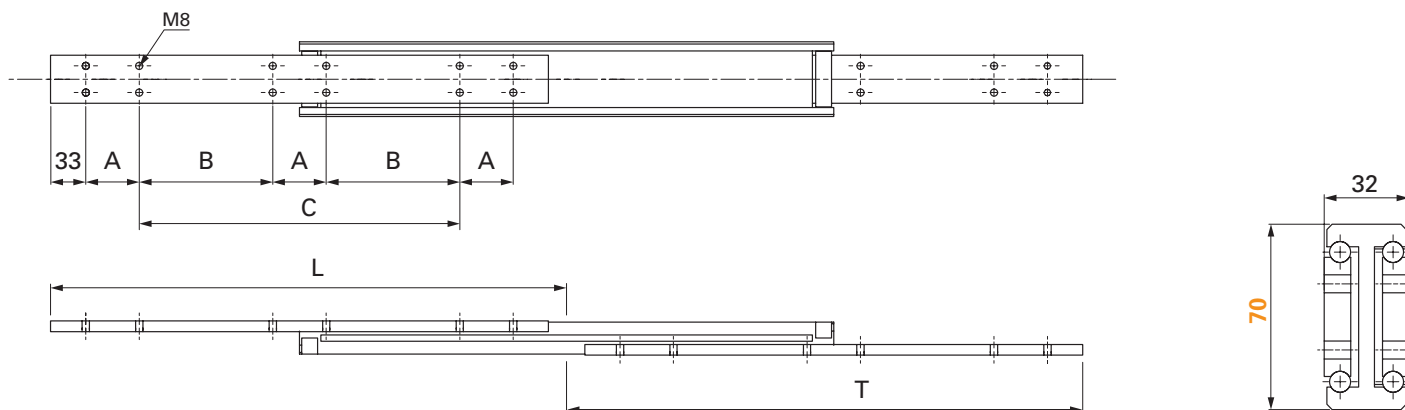




Supreme 13870S*7B

bilox double T-design two-way extension in aluminum

Technical specifications



13870S*7B bilox double T-design two way extension in aluminum (6082-T6)

Article number	Installation length "L"	Extension length "T"	Load capacity per pair (kg)	Drill table		
				"A"	"B"	"C"
13870S017B	200	200	228	50		
13870S027B	250	250	240	50		50
13870S037B	300	300	252	50		100
13870S047B	350	350	264	50		150
13870S057B	400	400	276	50		200
13870S067B	450	450	288	50		250
13870S077B	500	500	300	50		300
13870S087B	550	550	312	50		350
13870S097B	600	600	324	50		400
13870S107B	650	650	312	50	200	
13870S117B	700	700	300	50	225	
13870S127B	750	750	288	50	250	
13870S137B	800	800	276	50	275	
13870S147B	850	850	264	50	300	
13870S157B	900	900	252	50	325	
13870S167B	950	950	246	50	350	
13870S177B	1000	1000	240	50	375	
13870S187B	1050	1050	228	50	400	
13870S197B	1100	1100	222	50	425	
13870S207B	1150	1150	216	50	450	
13870S217B	1200	1200	210	50	475	

other lengths are available upon request

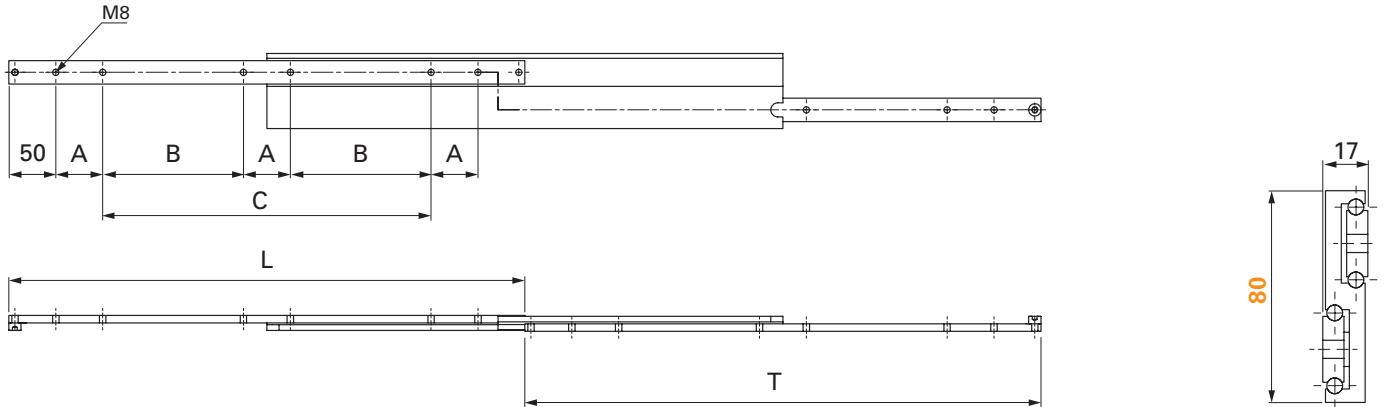


Supreme 13880S*

S-design slide in steel



Technical specifications



13880S* S-design in steel (C45C+E)

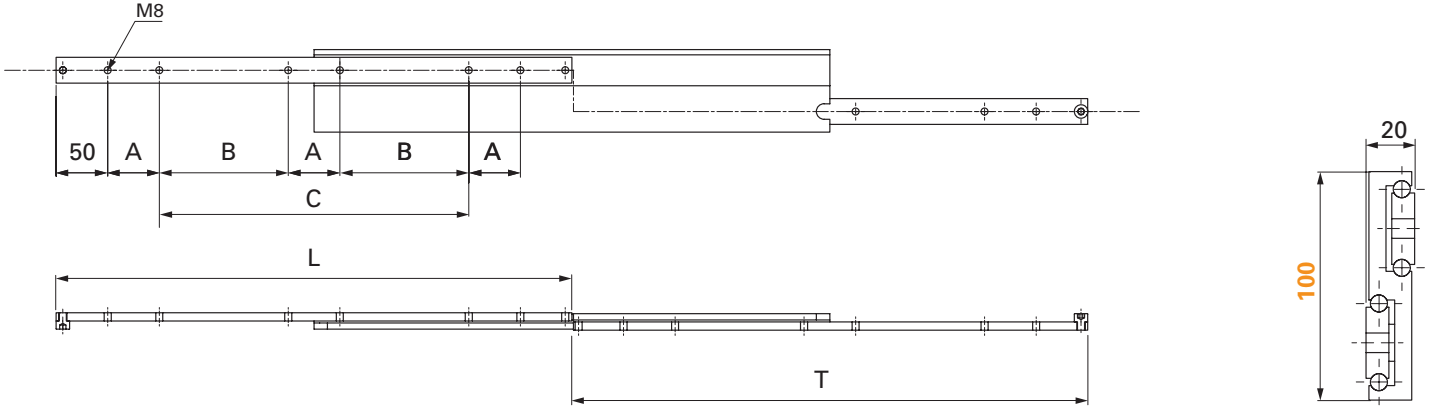
Article number	Installation length "L"	Extension length "T"	Load capacity per pair (kg)	Drill table		
				"A"	"B"	"C"
13880S79	200	200	270	50		
13880S80	250	250	265	50		50
13880S81	300	300	260	50		100
13880S82	350	350	255	50		150
13880S83	400	400	250	50		200
13880S84	450	450	245	50		250
13880S85	500	500	240	50		300
13880S86	550	550	230	50	150	
13880S87	600	600	225	50	175	
13880S88	650	650	220	50	200	
13880S89	700	700	215	50	225	
13880S90	750	750	210	50	250	
13880S91	800	800	190	50	275	
13880S92	850	850	180	50	300	
13880S93	900	900	170	50	325	
13880S94	950	950	160	50	350	
13880S95	1000	1000	150	50	375	



Supreme 138100S*

S-design slide in steel

Technical specifications



138100S* S-design in steel (C45C+E)

Article number	Installation length "L"	Extension length "T"	Load capacity per pair (kg)	Drill table		
				"A"	"B"	"C"
138100S30	200	200	420	50		
138100S31	250	250	410	50		50
138100S32	300	300	400	50		100
138100S33	350	350	390	50		150
138100S34	400	400	380	50		200
138100S35	450	450	370	50		250
138100S36	500	500	360	50		300
138100S37	550	550	350	50	150	
138100S38	600	600	340	50	175	
138100S39	650	650	330	50	200	
138100S40	700	700	320	50	225	
138100S41	750	750	310	50	250	
138100S42	800	800	300	50	275	
138100S43	850	850	290	50	300	
138100S44	900	900	280	50	325	
138100S45	950	950	270	50	350	
138100S46	1000	1000	260	50	375	
138100S47	1050	1050	250	50	400	
138100S48	1100	1100	240	50	425	
138100S49	1150	1150	235	50	450	
138100S50	1200	1200	230	50	475	

other lengths are available upon request





Thomas Regout International B.V.

Industrieweg 40
6219 NR Maastricht
The Netherlands

T. +31 (0)43 351 66 66
F. +31 (0)43 351 66 99

E. sales@thomasregout.com

www.thomasregout.com

