

GN 817.9

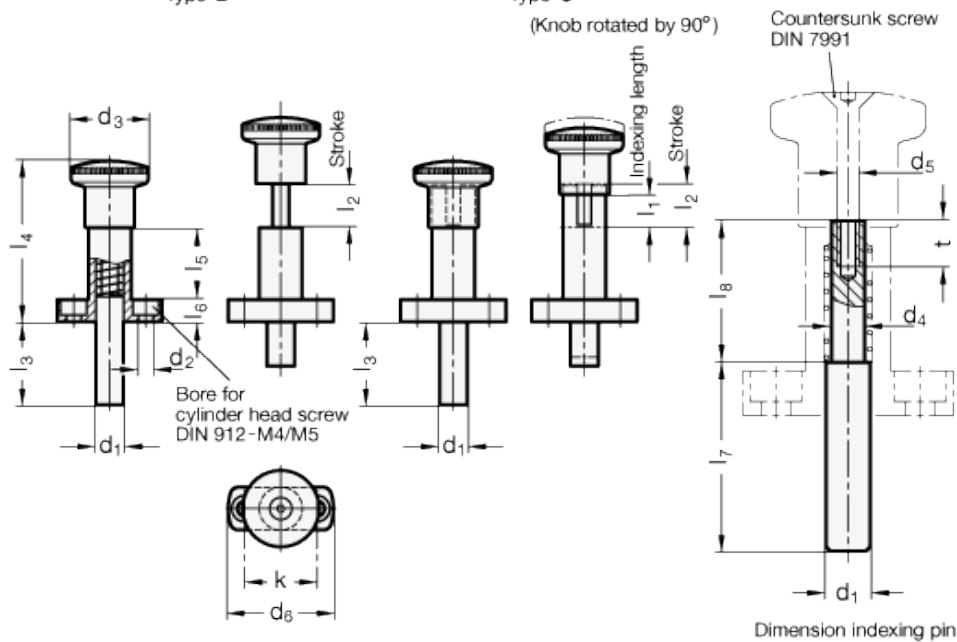
Indexing plungers



Type B

Type C

(Knob rotated by 90°)



technical informations

Specification

Types

- Type B: without rest position
- Type C: with rest position

Guide

Zinc die casting
plastic coated
black, textured finish

Pin

Stainless Steel
- AISI 303

Knob Plastic

Technopolymer (Polyamide PA)
 - black, matt
 - not removable

Information

Indexing plungers GN 817.9 have been designed such that special versions of the indexing pins can also be made economically in smaller unit quantities.

If required, the indexing pins can be machined or made by the user as shown in the drawing above. They are assembled with a countersunk screw and can therefore be assembled several times. All parts are supplied in a non-assembled set.

The indexing plungers type C are used for such applications where the plunger has to stay in its retracted position. To achieve this, the knob is rotated by 90° degrees after being retracted. A notch keeps the plunger in this position.

Standard Elements	Main dimensions																	Spring load in N		Weight g
	d_1 Pin -0.02/-0.04 / Bore +0.10/+0.03	l_1	l_2 max.	b	d_2	d_3	d_4	d_5	d_6	k	l_3	l_4	l_5	l_6	l_7	l_8	t	initial	end	
GN 817.9-7-6-B	7	6	8	13	4.3	23	5	M3	34	22	20	48	22	6	31	17.6	7	6.5	19	-
GN 817.9-7-9-B	7	9	11	13	4.3	23	5	M3	34	22	20	48	22	6	27.5	21.1	7	6	25	-
GN 817.9-8-8-B	8	8	10	16	5.3	28	6	M4	38	26	25	58	26	8	39	20.6	8	8.5	26	-
GN 817.9-8-12-B	8	12	14	16	5.3	28	6	M4	38	26	25	58	26	8	34	25.6	8	8.5	28	-
GN 817.9-10-12-B	10	12	14	16	5.3	28	7.5	M4	38	26	30	58	26	8	39.2	25.4	8	9.5	38	-
GN 817.9-7-6-C	7	6	8	13	4.3	23	5	M3	34	2	20	48	22	6	31	17.6	7	6.5	19	-
GN 817.9-7-9-C	7	9	11	13	4.3	23	5	M3	34	22	20	48	22	6	27.5	21.1	7	6	25	-
GN 817.9-8-8-C	8	8	10	16	5.3	28	6	M4	38	26	25	58	26	8	39	20.6	8	8.5	26	-
GN 817.9-8-12-C	8	12	14	16	5.3	28	6	M4	38	26	25	58	26	8	34	25.6	8	8.5	28	-
GN 817.9-10-12-C	10	12	14	16	5.3	28	7.5	M4	38	26	30	58	26	8	39.2	25.4	8	9.5	38	-



STANDARD MACHINE ELEMENTS WORLDWIDE