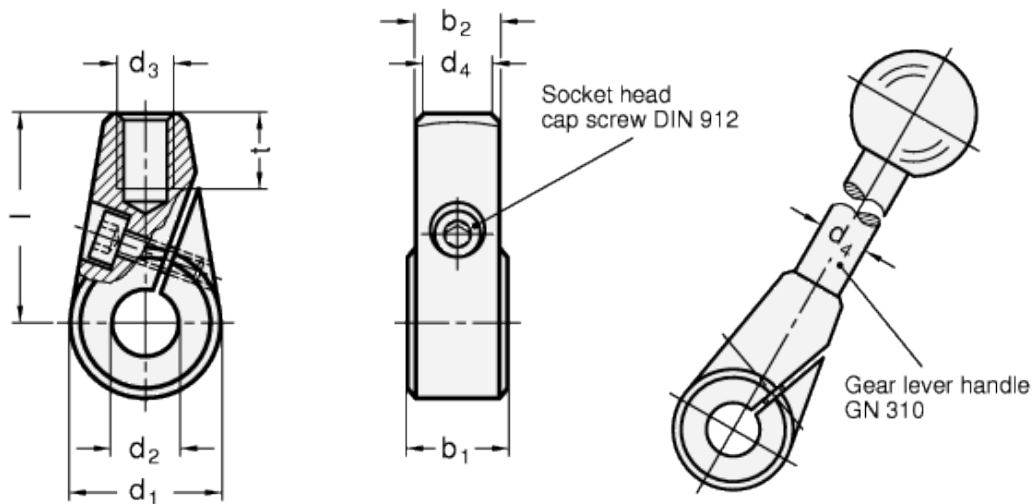


# GN 150.5

Split hubs



INOX  
Stainless Steel



technical informations

#### Material

AISI 316L Stainless sintered steel.

#### Cylinder head screw DIN 912

AISI 304 Stainless Steel.

#### Features and applications

Stainless Steel-Split hubs GN 150.5 are distinguished by the method of simple clamping to any shaft.

This can be achieved without prior machining of the shaft, eliminating clamping parts and assembly work.

A further advantage is the positioning of the lever arm to any required position.

The shaft tolerance should be within h11; to transmit higher torques the hub can be supplied with a keyway.

Standard Elements	Main dimensions							Mounting hole	Weight
Description	d <sub>1</sub>	b <sub>1 ±0.2</sub>	b <sub>2</sub>	d <sub>3</sub>	d <sub>4</sub>	l	t <sub>min.</sub>	d <sub>2</sub>	g
GN 150.5-24-B10	24	15.5	13	M8	10	36	11	B10	64
GN 150.5-24-B12	24	15.5	13	M8	10	36	11	B12	61
GN 150.5-28-B12	28	17.5	15	M10	12	41	14	B12	94
GN 150.5-28-B14	28	17.5	15	M10	12	41	14	B14	90
GN 150.5-32-B14	32	19.5	17	M12	14	45	16	B14	140
GN 150.5-32-B16	32	19.5	17	M12	14	45	16	B16	132



ELESA and GANTER models all rights reserved in accordance with the law. Always mention the source when reproducing our drawings.

STANDARD MACHINE ELEMENTS WORLDWIDE