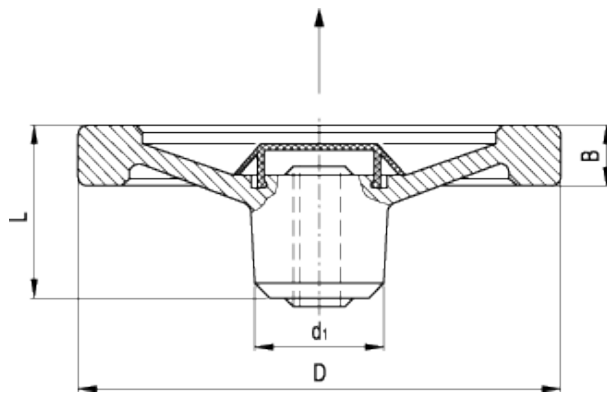


# GN 321.6-A

Safety solid handwheels



## technical informations

### Material

Aluminium, black epoxy resin coating.

### Rim

Aluminium, mirror-polished.

### Hub cap

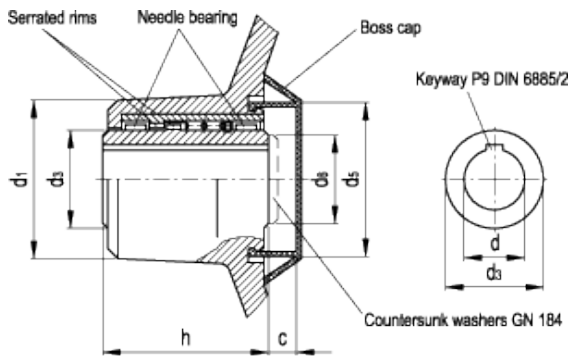
Light grey acetal resin based (POM) technopolymer.

### Assembly

Hub with keyway in compliance with [DIN 6885/2 P9 tolerance](#).

### Technical data

Axial and radial runout lower than 0.4.



| Standard Elements  | Main dimensions |    |      |                |                |                |                     |    |   | Mounting hole   | Weight |
|--------------------|-----------------|----|------|----------------|----------------|----------------|---------------------|----|---|-----------------|--------|
| Description        | D               | L  | B    | d <sub>1</sub> | d <sub>3</sub> | d <sub>5</sub> | d <sub>6 max.</sub> | h  | c | d <sub>H7</sub> | g      |
| GN 321.6-140-K12-A | 140             | 58 | 16.5 | 42             | 24             | 40             | 23                  | 45 | 7 | 12              | 535    |
| GN 321.6-140-K14-A | 140             | 58 | 16.5 | 42             | 24             | 40             | 23                  | 45 | 7 | 14              | 520    |
| GN 321.6-140-K16-A | 140             | 58 | 16.5 | 42             | 24             | 40             | 23                  | 45 | 7 | 16              | 504    |
| GN 321.6-160-K12-A | 160             | 58 | 18   | 42             | 24             | 40             | 23                  | 45 | 7 | 12              | 659    |
| GN 321.6-160-K14-A | 160             | 58 | 18   | 42             | 24             | 40             | 23                  | 45 | 7 | 14              | 644    |
| GN 321.6-160-K16-A | 160             | 58 | 18   | 42             | 24             | 40             | 23                  | 45 | 7 | 16              | 628    |



STANDARD MACHINE ELEMENTS WORLDWIDE