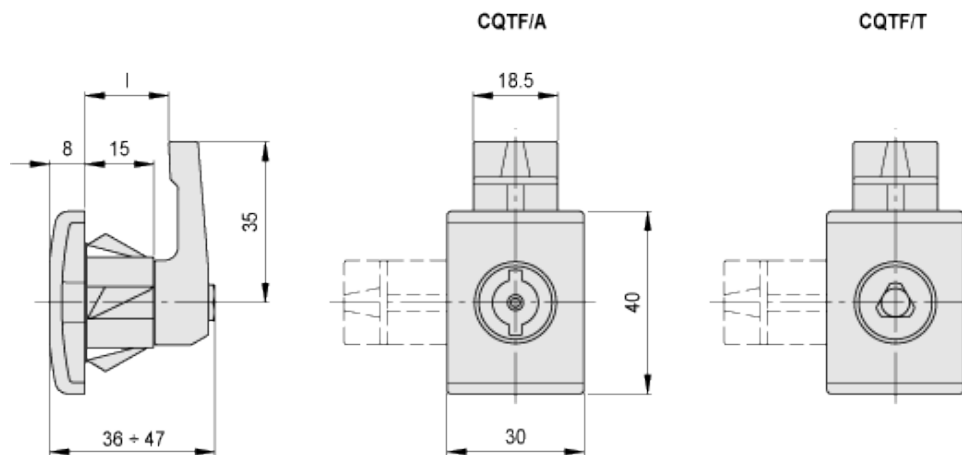


CQTF.FM-AE-V0



Latches with recessed key for quick-assembly



technical informations

Material

Glass-fibre reinforced polyamide-based technopolymer (PA), black colour, certified self-extinguishing UL-94 V0.

Packing ring

Silicone directly applied onto the back side of the stator head.

Washer with elastic fixing wings and self-tapping screw

Stainless steel.

Key

Polyamide based (PA) technopolymer.

Rotation

90°.

IP protection

IP 65 protection class according to IEC 529 table.

Standard executions

- CQTF/A: two-wing groove for key.
- CQTF/T: triangular groove for key.

Maximum continuous working temperature

130°C.

Disassembly tool (to be ordered separately)

Code 421550 ATTREZZO CQT.FM. in AISI 304 stainless steel.

Special executions on request

- Closing levers in zinc-plated steel.
- Latches and keys supplied separately.

Features

Steel plate thickness ranging from 1 to 2 mm allow faster mounting on doors.

Assembly instructions

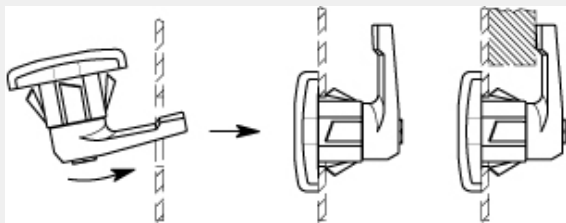
The latch is inserted in the mounting hole of the door on the lever side (see picture) until the wings of the elastic washer snap in, ensuring complete fastening.

The latches are supplied with assembled lever for faster mounting.

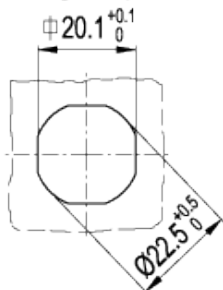
Where needed, the latch can be disassembled from the inside of the door by means of a disassembling tool (to be ordered separately).

Technical data

The "V0" certification in accordance with UL-94 V (Underwriters Laboratories) (see [Technical Data](#)) indicates that on a plastic test sample with specific shape and dimensions, in the vertical position, the flame is extinguished within 10 seconds, without generating incandescent drops.



Drilling template



Standard Elements		Main dimension	Weight
Code	Description	l	g

421261	CQTF/A-FM-35-18-AE-V0	18	25
421262	CQTF/A-FM-35-20-AE-V0	20	26
421263	CQTF/A-FM-35-22-AE-V0	22	27
421264	CQTF/A-FM-35-25-AE-V0	25	29
421265	CQTF/A-FM-35-30-AE-V0	30	34
421266	CQTF/T-FM-35-18-AE-V0	18	25
421267	CQTF/T-FM-35-20-AE-V0	20	26
421268	CQTF/T-FM-35-22-AE-V0	22	27
421269	CQTF/T-FM-35-25-AE-V0	25	29
421270	CQTF/T-FM-35-30-AE-V0	30	34



ELESA and GANTER models all rights reserved in accordance with the law. Always mention the source when reproducing our drawings.

STANDARD MACHINE ELEMENTS WORLDWIDE