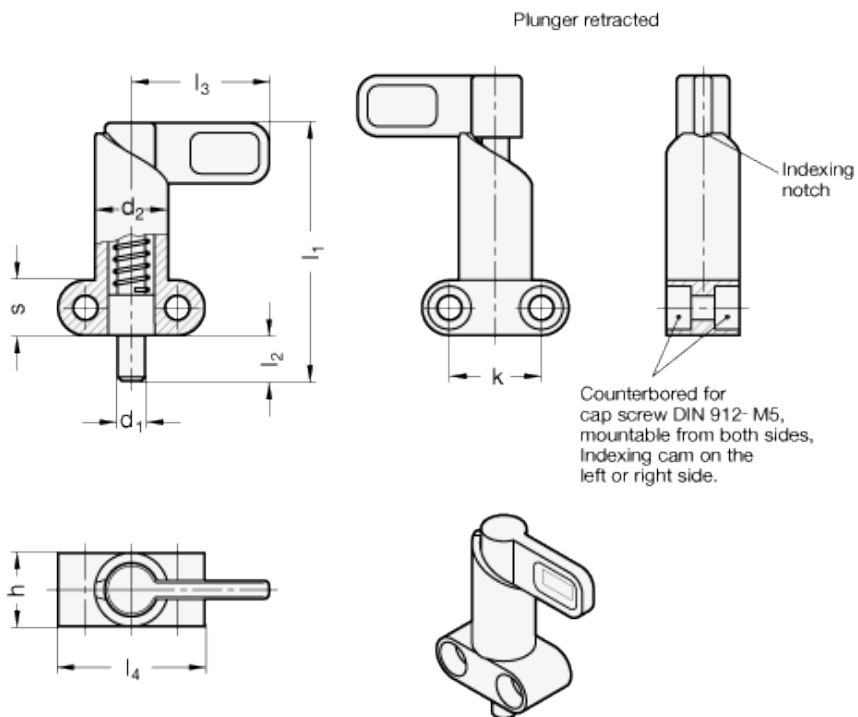


GN 612.9

Lever indexing plungers with rest position



technical informations

Threaded body

Zinc alloy die-cast, plastic coated, black textured finish.

Plunger

Steel zinc-plated, blue passivated.

Suggested matching hole with tolerance -0.5 .

Lever

Polyamide based (PA) technopolymer, black colour, matte finish, not removable.

Features and applications

Cam action indexing plungers GN 612.9 are used in cases where the plunger must not protrude all the time. By rotating the lever through 180° the plunger withdraws itself. The notch allows safe positioning.

Standard Elements	Main dimensions									Weight
Description	d ₁	d ₂	h	k	l ₁	l ₂	l ₃	l ₄	s	g
GN 612.9-6-16-SW	6	16	16	20	57	10	30	32	12	57
GN 612.9-8-16-SW	8	16.5	16	20	57	10	30	32	12	58
GN 612.9-8-20-SW	8	20	20	22	70	12	37	37	15	120
GN 612.9-10-16-SW	10	16	16	20	57	10	30	32	12	121
GN 612.9-10-20-SW	10	20	20	22	70	12	30	32	15	122
GN 612.9-12-20-SW	12	20	20	22	70	12	37	37	15	127



STANDARD MACHINE ELEMENTS WORLDWIDE